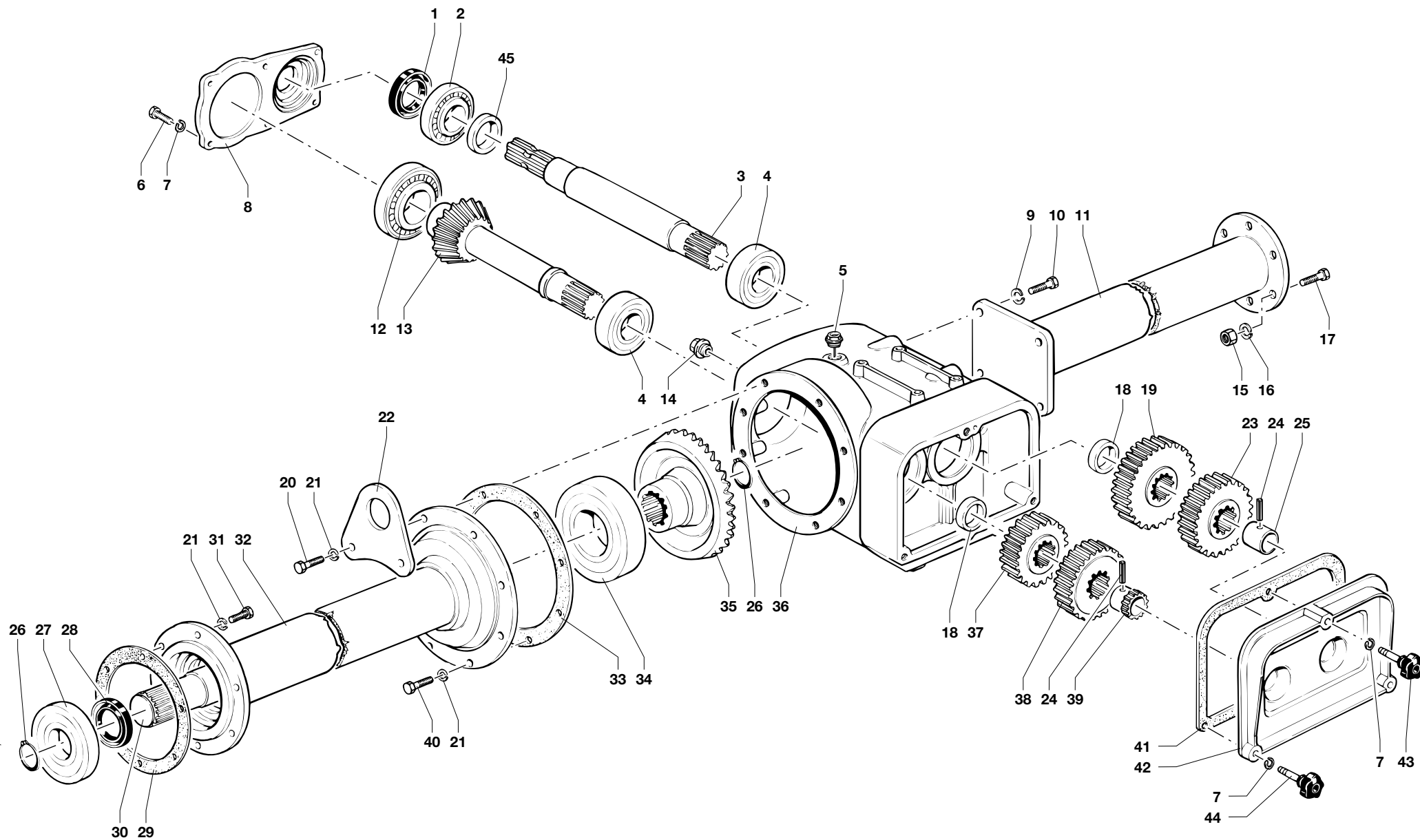


TAV. 1 - RIDUTTORE "SP-ING / SP-CAT" A 4 VELOCITA'



# TAV. 1 - RIDUTTORE "SP-ING / SP-CAT" A 4 VELOCITA'

RIF.	CODICE	DENOMINAZIONE	DESCRIPTION	BENENNUNG	DESIGNATION
1	6204062	Paraolio ø 40x62x10 PP	Oil seal ø 40x62x10 PP	Oelabdichtung ø 40x62x10 PP	Pare-huile ø 40x62x10 PP
2	2030308	Cuscinetto 30308	Bearing 30308	Lager 30308	Roulement 30308
3	4224252	Albero presa di forza	Shaft	Welle	Arbre
3	4224259	Albero presa di forza SP-255	Shaft SP-255	Welle SP-255	Arbre SP-255
4	2032308	Cuscinetto 32308	Bearing 32308	Lager 32308	Roulement 32308
5	3443022	Tappo asta M22x1,5	Plug M22x1,5	Auspuffpfropfen M22x1,5	Bouchon M22x1,5
6	3391025	Vite M10x1,5x25 PG UNI 5739	Screw M10x1,5x25 PG UNI 5739	Schraube M10x1,5x25 PG	Vis M10x1,5x25 PG UNI 5739
7	3972010	Rondella grower ø 10 UNI 1751	Washer ø 10 UNI 1751	Scheibe ø 10 UNI 1751	Rondelle ø 10 UNI 1751
8	4644260	Coperchio porta paraolio	Cover	Deckel	Couvercle
8	4644261	Coperchio porta paraolio SP-255	Cover SP-255	Deckel SP-255	Couvercle SP-255
9	3972014	Rondella grower ø 14 UNI 1751	Washer ø 14 UNI 1751	Scheibe ø 14 UNI 1751	Rondelle ø 14 UNI 1751
10	3391430	Vite M14x2x30 PG UNI 5739	Screw M14x2x30 PG UNI 5739	Schraube M14x2x30 PG	Vis M14x2x30 PG UNI 5739
11	4004543	Supporto esterno SP-160	External support SP-160	Halterung SP-160	Support SP-160
11	4004544	Supporto esterno SP-180	External support SP-180	Halterung SP-180	Support SP-180
11	4004545	Supporto esterno SP-205	External support SP-205	Halterung SP-205	Support SP-205
11	4004546	Supporto esterno SP-230	External support SP-230	Halterung SP-230	Support SP-230
11	4004547	Supporto esterno SP-255	External support SP-255	Halterung SP-255	Support SP-255
12	2030310	Cuscinetto 30310	Bearing 30310	Lager 30310	Roulement 30310
13	4724251	Pignone conico Z=14	Bevel pinion Z=14	Kegelritzel Z=14	Pignon conique Z=14
14	3441022	Tappo scarico olio M22x1,5	Oil plug M22x1,5	Oelstopfen M22x1,5	Bouchon de l'huile M22x1,5
15	3540014	Dado M14 P.F. UNI 5587	Nut M14 P.F. UNI 5587	Mutter M14 P.F. UNI 5587	Ecrou M14 P.F. UNI 5587
16	3972014	Rondella grower ø 14 UNI 1751	Washer ø 14 UNI 1751	Scheibe ø 14 UNI 1751	Rondelle ø 14 UNI 1751
17	3401435	Vite M14x1,5x35 PG UNI 5739	Screw M14x1,5x35 PG UNI 5739	Schraube M14x1,5x35 PG	Vis M14x1,5x35 PG UNI 5739
18	4593264	Distanziale	Spacer	Distanzstück	Entretoise
19	4224257	Ingranaggio Z=23	Gear Z=23	Zahnrad Z=23	Engrenage Z=23
20	3391235	Vite M12x1,75x35 UNI 5739	Screw M12x1,75x35 UNI 5739	Schraube M12x1,75x35	Vis M12x1,75x35 UNI 5739
21	3972012	Rondella grower ø 12 UNI 1751	Washer ø 12 UNI 1751	Scheibe ø 12 UNI 1751	Rondelle ø 12 UNI 1751
22	4934657	Gancio catena	Chain plate	Metalplatte	Plaque chaîne
23	4224256	Ingranaggio Z=21	Gear Z=21	Zahnrad Z=21	Engrenage Z=21
24	6330635	Spina elastica ø 6x35	Split pin ø 6x35	Splint ø 6x35	Coupille ø 6x35
25	4534263	Tubo guida ingranaggio	Gear guide pipe	Rad führung	Tuyan guide engranage
26	6320055	Seeger esterno ø 55	Circlip ø 55	Seegersicherung ø 55	Bague d'arrêt ø 55
27	2006311	Cuscinetto 6311	Bearing 6311	Lager 6311	Roulement 6311
28	6105590	Paraolio ø 55x90x10 GM	Oil seal ø 55x90x10 GM	Oelabdichtung ø 55x90x10 GM	Pare-huile ø 55x90x10 GM
29	4784734	Guarnizione supp. lato trasmis.	Gasket	Dichtung	Garniture
30	4214530	Albero corona SP-160	Shaft SP-160	Welle SP-160	Arbre SP-160
30	4214531	Albero corona SP-180	Shaft SP-180	Welle SP-180	Arbre SP-180
30	4214532	Albero corona SP-205	Shaft SP-205	Welle SP-205	Arbre SP-205
30	4214533	Albero corona SP-230	Shaft SP-230	Welle SP-230	Arbre SP-230
30	4214534	Albero corona SP-255	Shaft SP-255	Welle SP-255	Arbre SP-255
31	3391225	Vite M12x1,75x25 UNI 5739	Screw M12x1,75x25 UNI 5739	Schraube M12x1,75x25	Vis M12x1,75x25 UNI 5739
32	4004741	Supporto lato trasm. SP-160	Suppot SP-160	Halterung SP-160	Support SP-160
32	4004742	Supporto lato trasm. SP-180	Suppot SP-180	Halterung SP-180	Support SP-180
32	4004743	Supporto lato trasm. SP-205	Suppot SP-205	Halterung SP-205	Support SP-205
32	4004744	Supporto lato trasm. SP-230	Suppot SP-230	Halterung SP-230	Support SP-230
32	4004745	Supporto lato trasm. SP-255	Suppot SP-255	Halterung SP-255	Support SP-255
33	4784825	Guarnizione lato corona	Gasket	Dichtung	Garniture
34	2006314	Cuscinetto 6314	Bearing 6314	Lager 6314	Roulement 6314
35	4724833	Corona conica Z=29	Ring bevel gear Z=29	Kegelradkranz Z=29	Couronne conique Z=29
36	4654250	Carter coppia conica	Gearbox	Carter	Carter
37	4224255	Ingranaggio Z=19	Gear Z=19	Zahnrad Z=19	Engrenage Z=19
38	4224254	Ingranaggio Z=17	Gear Z=17	Zahnrad Z=17	Engrenage Z=17
39	4534262	Tubo guida ingranaggio	Gear guide pipe	Rad führung	Tuyan guide engranage
40	3391230	Vite M12x1,75x30 UNI 5739	Screw M12x1,75x30 UNI 5739	Schraube M12x1,75x30	Vis M12x1,75x30 UNI 5739
41	4784264	Guarnizione coperchio cambio	Gasket	Dichtung	Garniture
42	4674261	Coperchio porta ingranaggi	Cover	Deckel	Couvercle
43	6601055	Pomello M10x55	Knob M10x55	Handgriff M10x55	Pommeau M10x55
44	6601035	Pomello M10x35	Knob M10x35	Handgriff M10x35	Pommeau M10x35
45	4594216	Distanziale cuscinetto P.T.O. SP-255	Spacer	Distanzstück	Entretoise