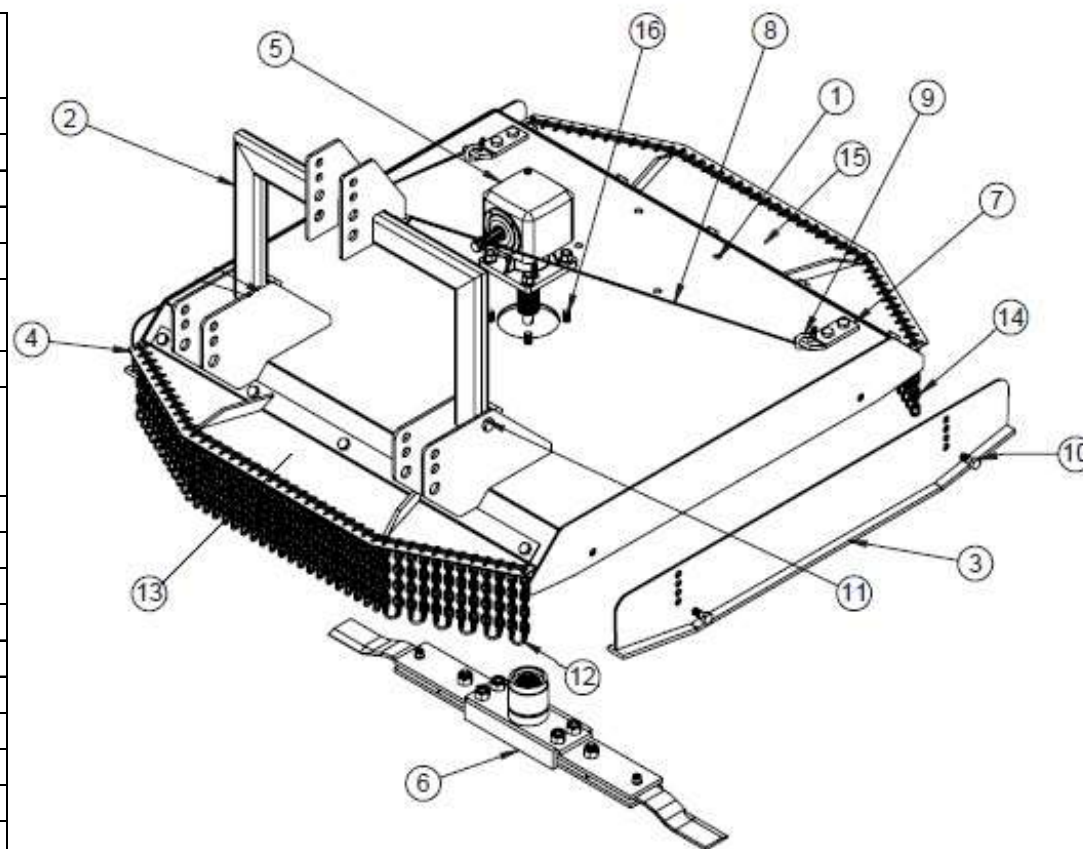


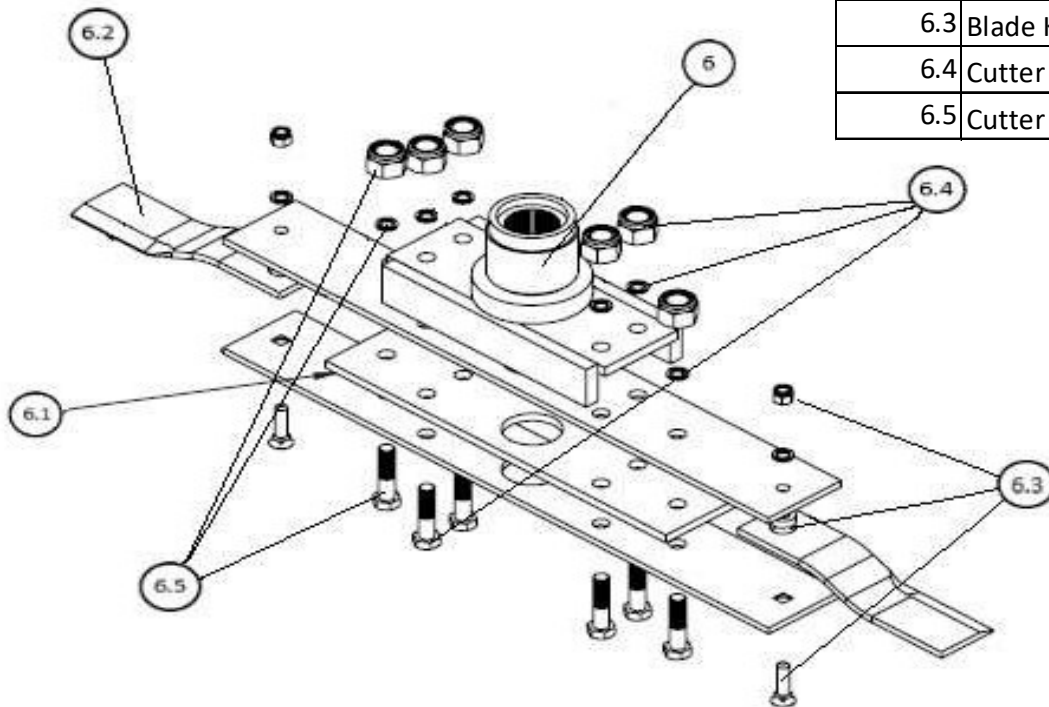
JOEY ROTARY CUTTER

Ref	Description	Part #			Qty
		100	125	150	
1	Deck assembly	100.700	100.701	100.702	1
2	Tower assembly	100.703			1
3	Skids (pair)	100.704	100.705	100.706	1
4	Chain Guard (front and/or rear)	100.711	100.712	100.713	2
5	Gearbox (Pre-2023)	100.414		100.312	1
	Gearbox (Serial numbers starting with four (4) letters i.e. AJCC 104 100 447)	100.420		100.421	1
6	Cutter Bar 'T' Piece assembly (Pre-2023)	100.707			1
	Cutter Bar 'T' Piece assembly (Serial numbers starting with four (4) letters i.e. AJCC 104 100 447)	100.424			1
6.1	Three (3) piece Cutter Bar assembly	100.708	100.709	100.710	1
6.2	Blade Bolt Kit (suit pair of blades)	100.412			1
6.3	Blade Kit (pair of blades)	100.411b			1
6.4	Cutter Bar 'T' Piece Bolt Kit	100.714			1
6.5	Cutter Bar Bolt Kit	N/A	100.715		1
7	Deck mounting block	100.716			2
8	Tower Chain	100.717	100.718	100.719	2
9	Chain Joiner assembly (set of shackles)	100.720			1
10	Skid Bolt Kit	100.721			1
11	Tower Bolt Kit	100.722			1
12	Front Chain Guard (chain only)	100.723a	100.724a	100.725a	1
13	Front Chain Guard assembly	100.723b	100.724b	100.725b	1
14	Rear Chain Guard (chain only)	100.726a	100.727a	100.728a	1
15	Rear Chain Guard assembly	100.726b	100.727b	100.728b	1
16	Gearbox Bolt Kit	100.729			1



JOEY ROTARY CUTTER

Ref	Description	Part #			Qty
		100	125	150	
6	Cutter Bar 'T' Piece assembly (Pre-2023)	100.707			1
	Cutter Bar 'T' Piece assembly (Serial numbers starting with four (4) letters i.e. AJCC 104 100 447)	100.424			1
6.1	Three (3) piece Cutter Bar assembly	100.708	100.709	100.710	1
6.2	Blade Bolt Kit (suit pair of blades)	100.412			1
6.3	Blade Kit (pair of blades)	100.411b			1
6.4	Cutter Bar 'T' Piece Bolt Kit	100.714			1
6.5	Cutter Bar Bolt Kit	N/A	100.715		1



JOEY ROTARY CUTTER



Part # 100.414 - 50hp Hi-Speed Gearbox

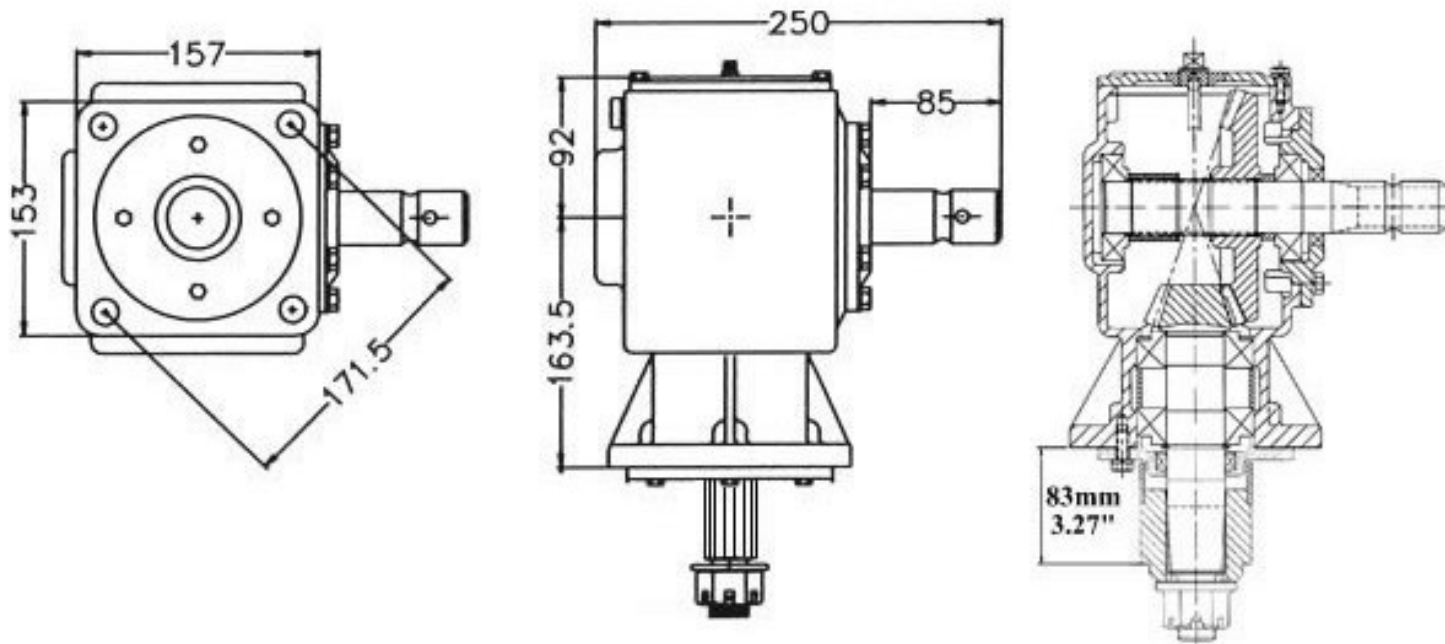
JOEY100, JOEY125 and All Mini Range Rotary Cutters

Pre-March 2023

Australian supplier offers limited parts for this gearbox.

Part # 100.420 - Input seal

Part # 100.421 - Lower output seal



JOEY ROTARY CUTTER

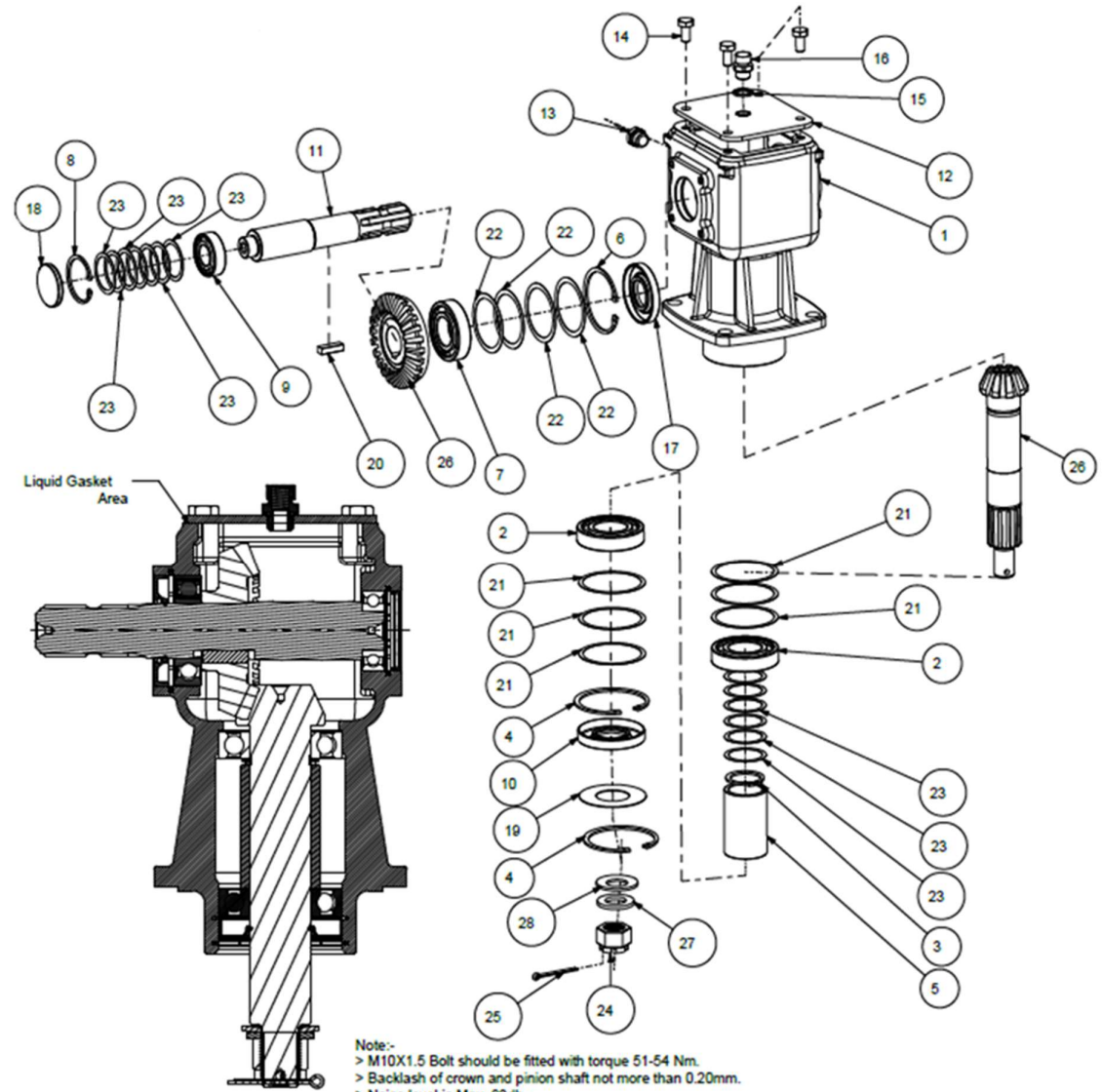


Part # 100.420 - 50hp Hi-Speed Gearbox

JOEY100 and JOEY125 (from 2023)

From 2023 | Serial numbers starting with four (4) letters
i.e. AJCC 104 100 447

28	SPRING DISC WASHER 25.4 X 50 X 3	1
27	WASHER 44 X 25 X 4	1
26	ASSEMBLY, CRN T25,PINION T10-SLC	1
25	COTTER PIN (DIA 4 X 70)	1
24	SPECIAL, CASTLE NUT M24 X 2 GA	1
23	SPECIAL, SHIM 50X40.5 (0.20MM)	13
22	RO SHIMS MS 71.75 X 60.25 X 0.2	4
21	RO SHIMS MS 79.75 X 70 X 0.2	6
20	KEY, 10 X 8 X 30 (SQ)	1
19	RO SHIMS MS 79.9 X 40.2 X 1	1
18	OIL SEAL 52 X 6.5	1
17	OIL SEAL 35 X 72 X 10	1
16	BREATHER, AIR 3/8" BSP	1
15	SEAL, DOWTY (3/8 BSP)	1
14	HEX BOLT M10X1.50X20(DIN933)(8.8)ZAFc	4
13	PLUG, 3/8 BSP WITH O-RING	1
12	GEARBOX, TOP PLATE GA	1
11	SHAFT, INPUT GA	1
10	OIL SEAL 40 X 80 X 12	1
9	BALL BEARING 6205	1
8	CIRCLIP INTERNAL 52MM (DIN 472)(HD)	1
7	BEARING 6207	1
6	CIRCLIP INTERNAL 72MM (DIN 472)	1
5	SPECIAL, BUSH Ø51 X Ø40 X 80-GA	1
4	CIRCLIP INTERNAL 80MM (DIN 472)	2
3	CIRCLIP EXTERNAL 40MM (DIN 471)(HD)	1
2	BEARING 6208	2
1	GEARBOX, CASING GA	1
Sr No.	PART NAME	QTY.



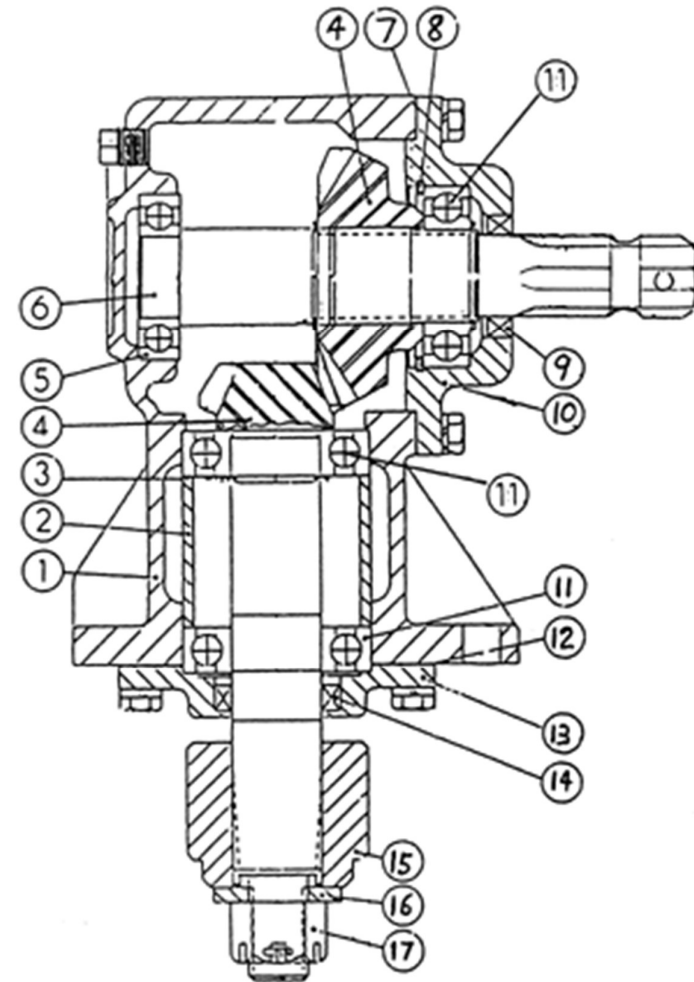
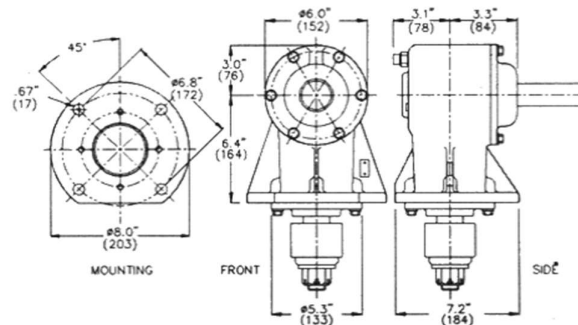
Note:-
 > M10X1.5 Bolt should be fitted with torque 51-54 Nm.
 > Backlash of crown and pinion shaft not more than 0.20mm.
 > Noise level is Max. 83db.
 > Lock tie should be apply on every bolt.(use two drops per bolt)
 > Moment of shaft should be within 1N/m.

JOEY ROTARY CUTTER



Part # 100.312. 40hp Gearbox (complete).

All S Range Rotary Cutters and **JOEY150 Pre-March 2023**



Ref	Description	Part #
1	40hp Main housing	100.313
2	40hp Spacer sleeve	100.314
3	40hp Retaining ring (3 used)	100.315
4	40hp Matched Gear Set (1:1.93)	100.316
5	40hp Bearing (rear)	100.317
6	40hp Input shaft	100.318
7	40hp Gasket (input)	100.319
8	40hp Retaining ring (input)	100.320
9	40hp Input seal	100.321
10	40hp Input cap	100.322
11	40hp Bearing (3 used)	100.323
12	40hp Gasket (output)	100.324
13	40hp Lower housing seal	100.325
14	40hp Output seal	100.326
15	40hp Hub only	100.327
16	Flat washer	100.329a
17	Castellated Nut (1" x 14 TPI)	100.329b

JOEY ROTARY CUTTER

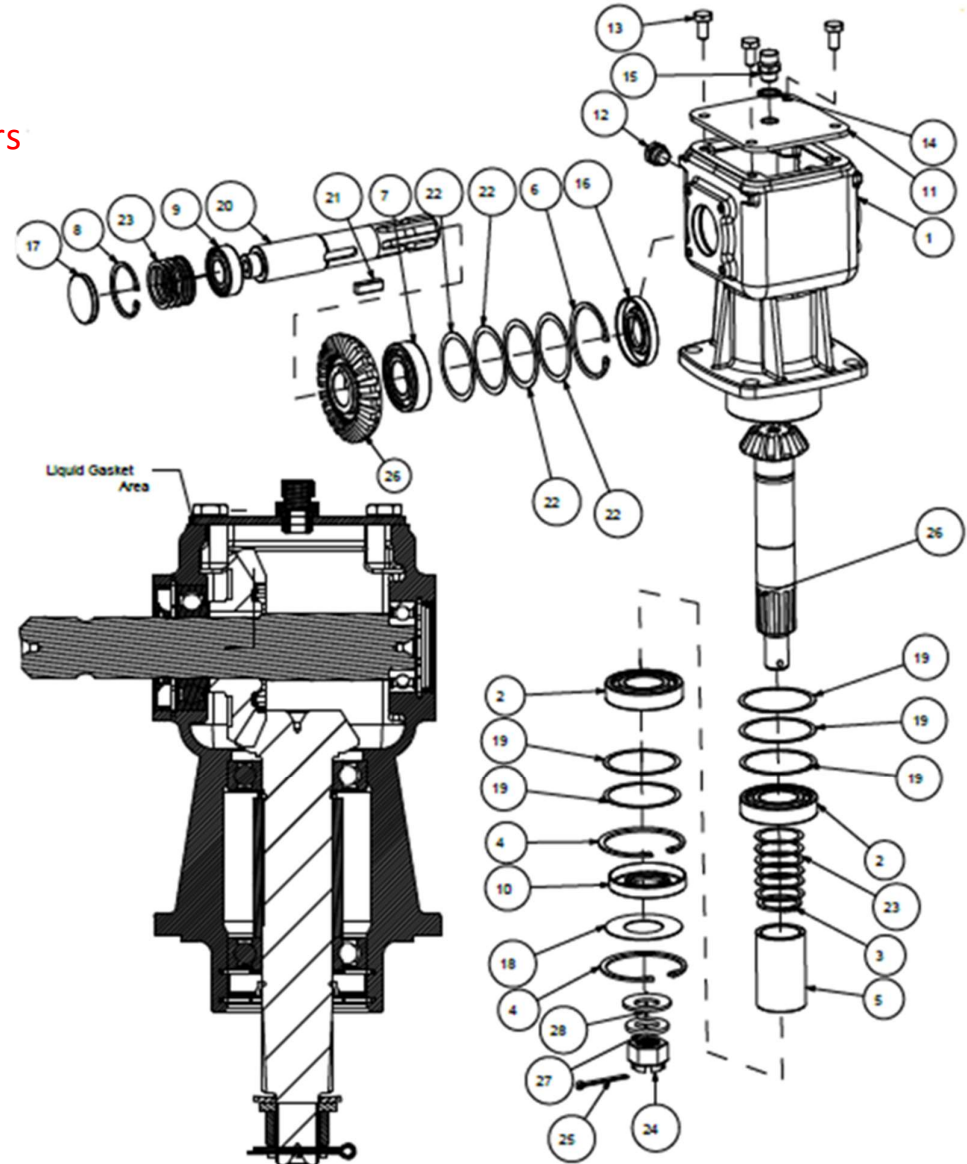


Part # 100.421. 40hp Gearbox (complete).

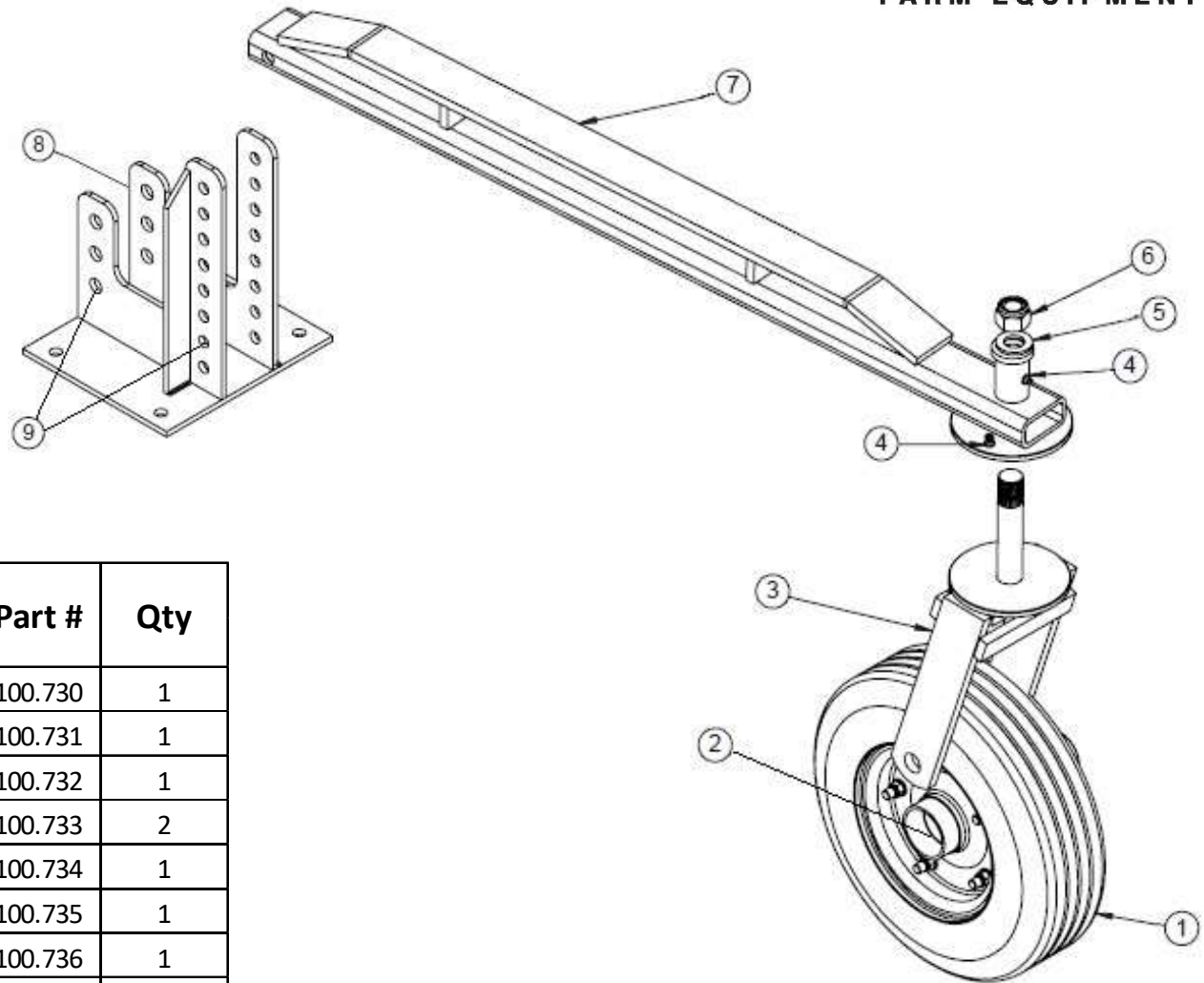
JOEY150 ONLY.

From 2023 | Serial numbers starting with four (4) letters
i.e. AJCC 104 100 447

28	SPRING DISC WASHER 25.4 X 50 X 3	1
27	WASHER 44 X 25 X 4	1
26	ASSEMBLY, CRN T23,PINION T12-SLC	1
25	COTTER PIN (DIA 4 X 70)	1
24	SPECIAL, CASTLE NUT M24 X 2 GA	1
23	SPECIAL, SHIM 50X40.5 (0.20MM)	13
22	RO SHIMS MS 71.75 X 60.25 X 0.2	4
21	KEY, 10 X 8 X 30 (SQ)	1
20	SHAFT, INPUT GA	1
19	RO SHIMS MS 79.75 X 70 X 0.2	5
18	RO SHIMS MS 79.9 X 40.2 X 1	1
17	OIL SEAL 52 X 6.5	1
16	OIL SEAL 35 X 72 X 10	1
15	BREATHER, AIR 3/8" BSP	1
14	SEAL, DOWTY (3/8 BSP)	1
13	HEX BOLT M10X1.50X20(DIN933)(8.8)ZAF	4
12	PLUG, 3/8 BSP WITH O-RING	1
11	GEARBOX, TOP PLATE GA	1
10	OIL SEAL 40 X 80 X 12	1
9	BALL BEARING 6205	1
8	CIRCLIP INTERNAL 52MM (DIN 472)(HD)	1
7	BEARING 6207	1
6	CIRCLIP INTERNAL 72MM (DIN 472)	1
5	SPECIAL, BUSH Ø51 X Ø40 X 80-GA	1
4	CIRCLIP INTERNAL 80MM (DIN 472)	2
3	CIRCLIP EXTERNAL 40MM (DIN 471)(HD)	1
2	BEARING 6208	2
1	GEARBOX, CASING GA	1
Sr. No.	PART NAME	QTY.



JOEY ROTARY CUTTER



Ref	Description	Part #	Qty
1	Solid Wheel only	100.730	1
2	Hub assembly	100.731	1
3	Wheel fork only	100.732	1
4	Grease nipple	100.733	2
5	Fork washer	100.734	1
6	Fork lock nut	100.735	1
7	Main arm/boom	100.736	1
8	Mounting bracket	100.737	1
9	Mounting bracket bolt kit	100.738	1