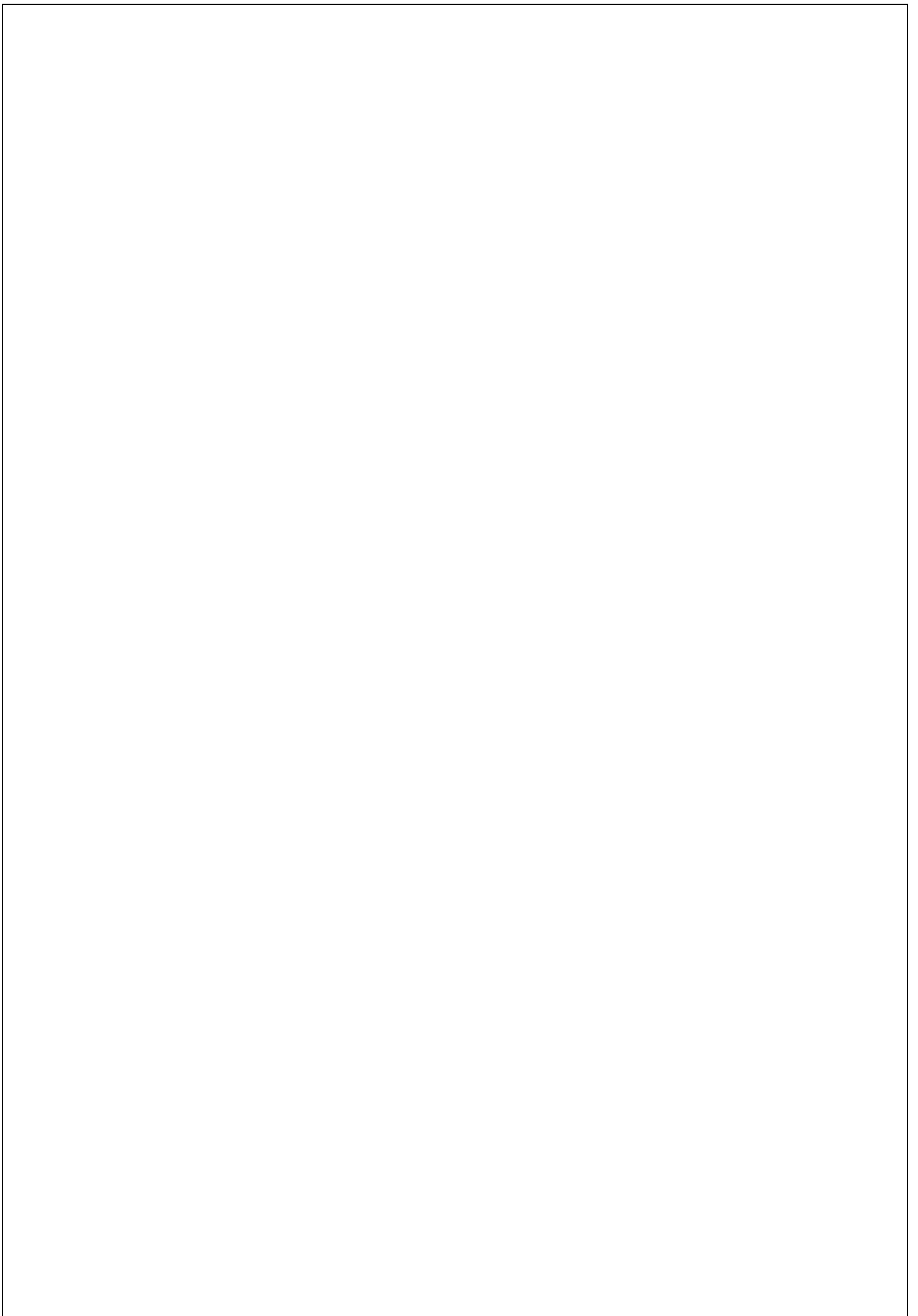
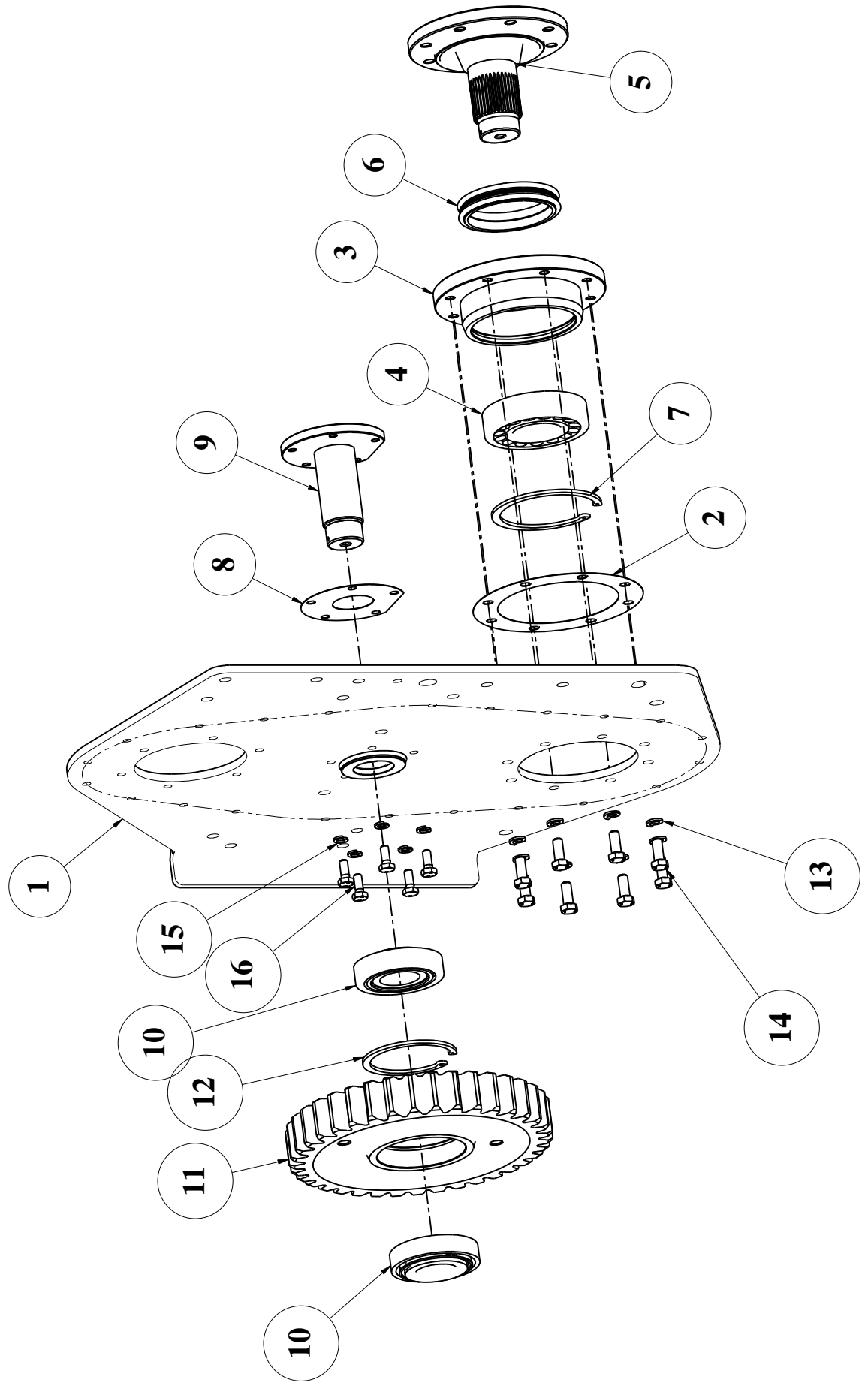


PARTS MANUAL
JUMBO SERIES ROTARY TILLER



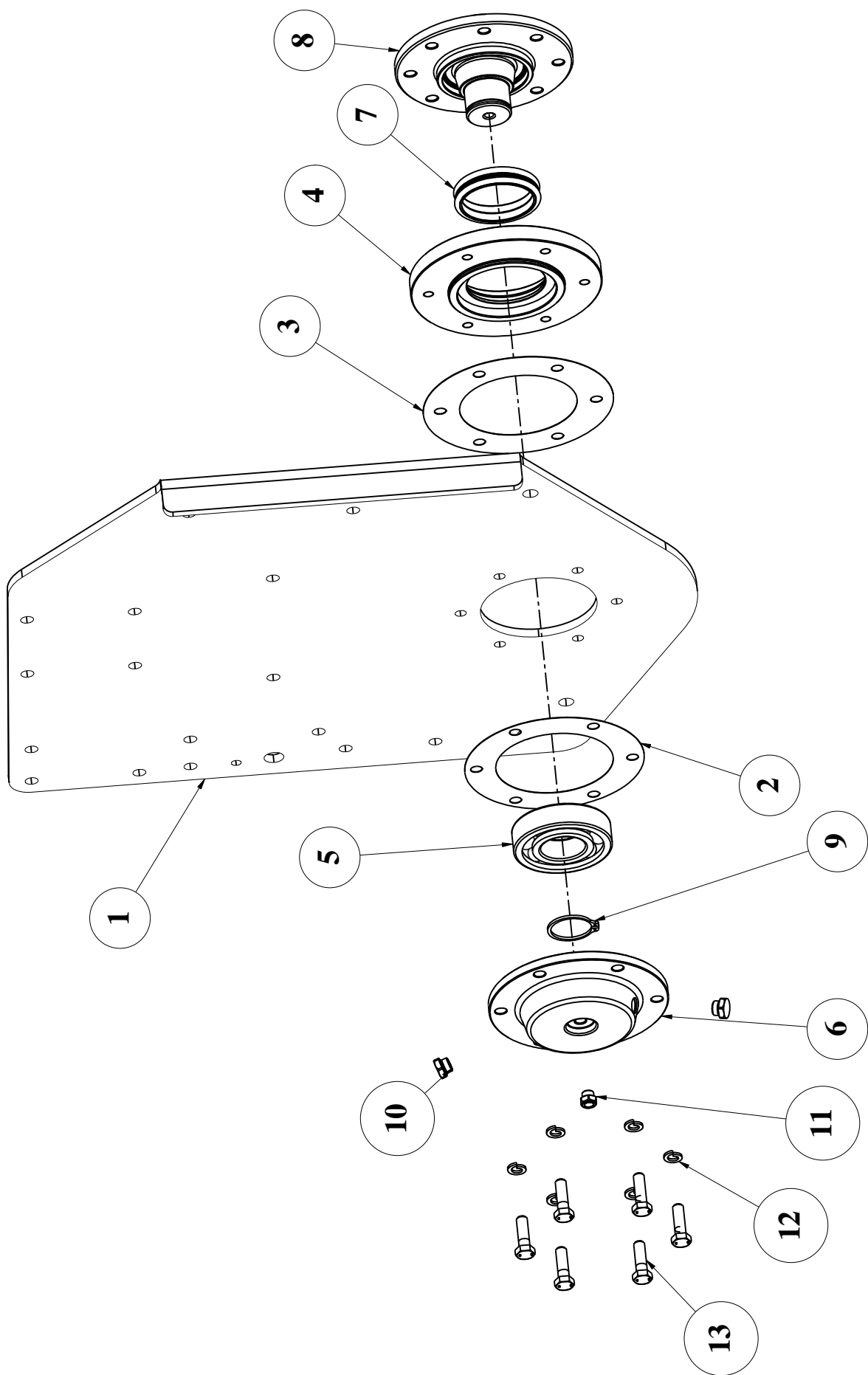
TILLER END PLATE, TR. SIDE ASM. (JUMBO)



JUMBO SERIES – TILLER END PLATE, TR SIDE SPARE PARTS TABLE

ITEM NO	P/NUMBER	QTY.	PART NAME
1	23076	1	TILLER END PLATE WELD, GD SIDE (JUMBO)
2	23055	1	GASKET, ROTOR BEARING MOU. TR.SIDE(JUMBO)
3	23035	1	BEARING MOUNT,TRASMISSION SIDE(JUMBO)
4	23025	1	DUO CONE SEAL SAP 122.5 X 104.63 X 22.5
5	23034	1	ROTOR HUB, GEAR DRIVE SIDE (JUMBO)
6	23005	1	BEARING 21312-E1
7	2547	1	CIRCLIP INTERNAL 130MM
8	23054	1	GASKET, PIN IDLE GEAR (JUMBO)
9	23096	1	PIN, IDLE GEAR (JUMBO)
10	23006	2	BEARING 30310
11	23038	1	GEAR, IDLER Z-37 (JUMBO)
12	11070	1	CIRCLIP INTERNAL 110MM
13	1306	8	SPRING WASHER 12mm
14	17275	8	HEX BOLT M12 X 1.75 X 30 (8.8) DIN931
15	1304	5	SPRING WASHER 10mm
16	17270	5	HEX BOLT M10 X 1.50 X 25 (8.8) DIN931

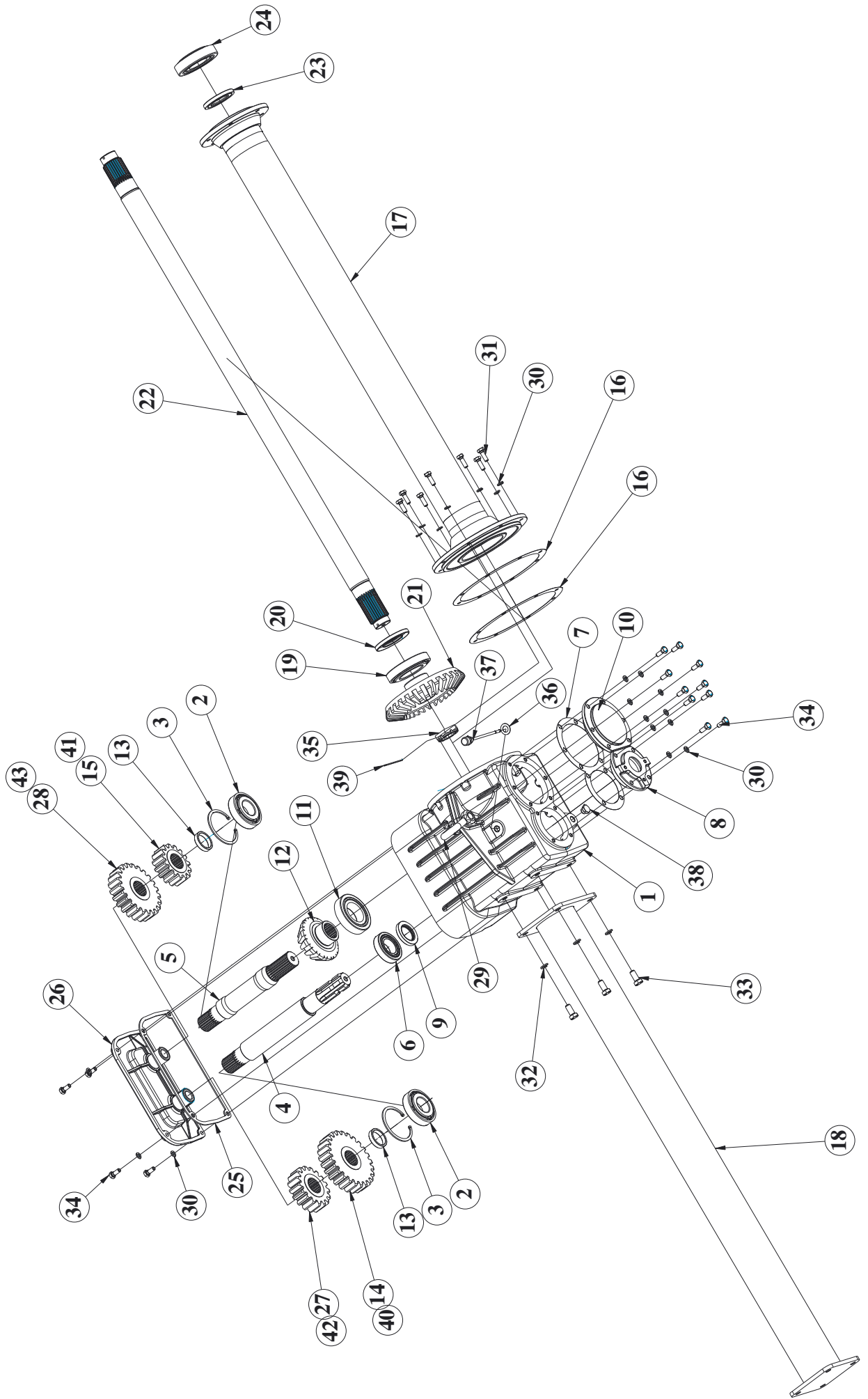
TILLER END PLATE, EX. SIDE ASM. (JUMBO)



JUMBO SERIES – TILLER END PLATE, EX. SIDE SPARE PARTS TABLE

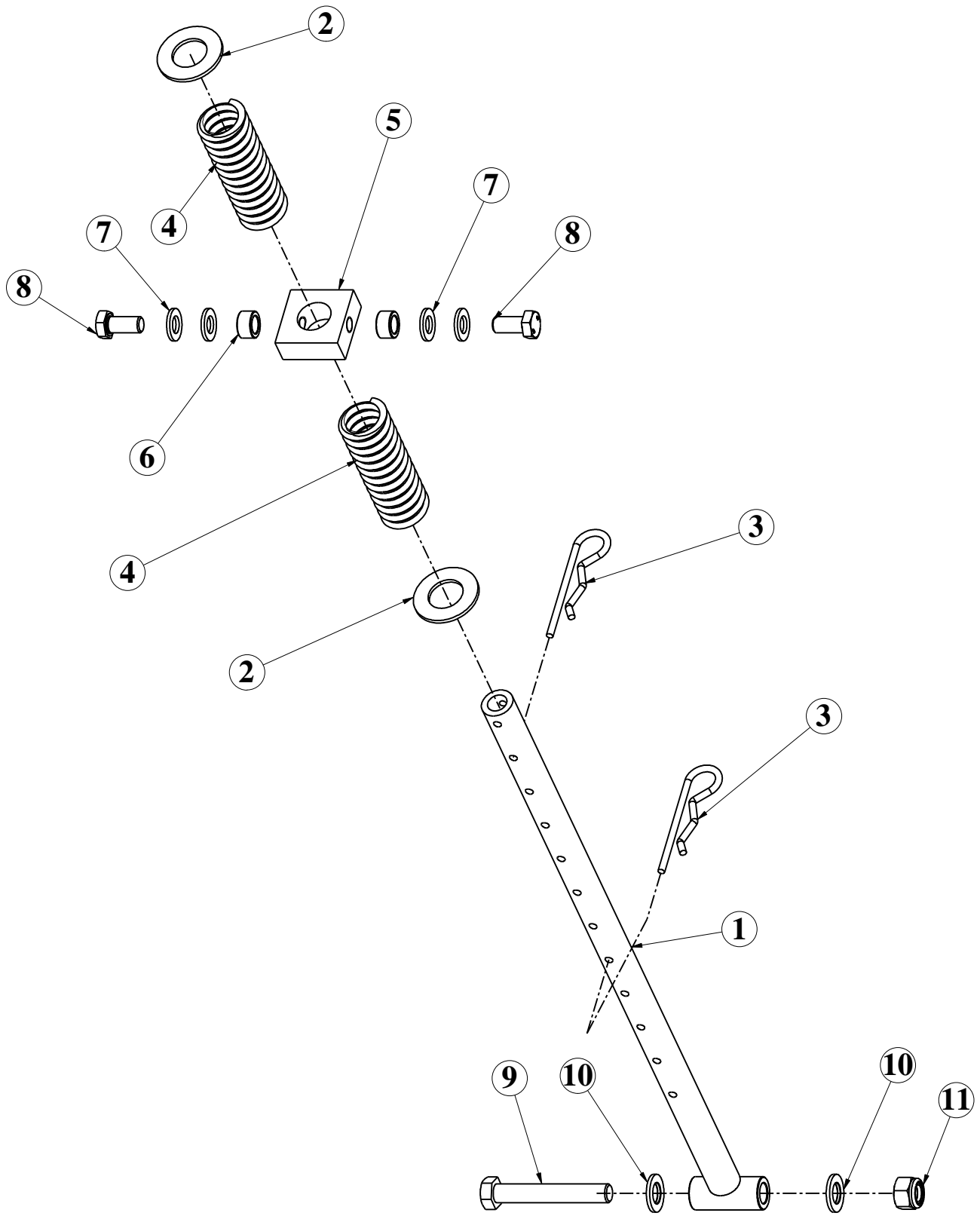
ITEM NO	P/NUMBER	QTY.	PART NAME
1	23098	1	TILLER END PLATE, EXTERNAL SIDE (JUMBO)
2	23056	1	GASKET, ROTOR BEARING MOU. EX.SIDE(JUMBO)
3	23058	1	GASKET,BEARING MOUNT COVER (JUMBO)
4	23036	1	BEARING MOUNT,EXTERNAL SIDE(JUMBO)
5	23007	1	BEARING 6310
6	23071	1	BEARING MOUNT COVER-EXTERNAL SIDE(JUMBO)
7	23026	1	DUO CONE SEAL SAP 92.5 X 80.10 X 20
8	23037	1	ROTOR HUB,EXTERNAL SIDE (JUMBO)
9	23057	1	CIRCLIP EXTERNAL 50MM (HEAVY)
10	14312	2	DRAIN CAP 3/8" BSP (1GTC02UW)
11	14313	1	OIL LEVEL GAUGE 1/4" BSP (1GTLN110)
12	1306	6	SPRING WASHER 12mm
13	17433	6	HEX BOLT M12 X 1.75 X 40(HT)(8.8) DIN931

GEAR BOX MULTI SPEED PARTS (JUMBO)



JUMBO SERIES – GEAR BOX ASSEMBLY SPARE PARTS TABLE				
ITEM NO	P/NUMBE	Qty.	PART NAME	REMARKS
1	23012	1	GEAR BOX (JUMBO)	
2	23002	2	BEARING 30309	
3	1074	2	CIRCLIP INTERNAL 100MM	
4	23090	1	SHAFT,INPUT 1-3/4" Z-6 (JUMBO)	
5	23092	1	PINION SHAFT (JUMBO)	
6	2624	1	BEARING 32209	
7	23049	1	GASKET, FRONT GEARBOX (JUMBO)	
8	23072	1	FLANGE, INPUT SHAFT (JUMBO)	
9	6021	1	OIL SEAL 45 X 70 X 10	
10	23073	1	COVER, GEARBOX HOUSING FRONT (JUMBO)	
11	23001	1	BEARING 32212	
12	23033	1	BEVEL PINION Z-14 (JUMBO)	
13	23091	2	SPACER,GEAR BOX STRAIGHT GEAR (JUMBO)	
14	23162	1	GEAR Z-25 (JUMBO)	
15	23161	1	GEAR Z-15 (JUMBO)	
16	23051	2	GASKET,SHAFT BEARING MOUNT,GBSIDE(JUMBO)	
17	23230	1	EXTENSION TUBE 300,TR SIDE (JUMBO)	FOR 300
	23290	1	EXTENSION TUBE 250,TR SIDE (JUMBO)	FOR 250
18	23231	1	EXTENSION TUBE 300,EX.SIDE (JUMBO)	FOR 300
	23291	1	EXTENSION TUBE 250,EX.SIDE (JUMBO)	FOR 250
19	23003	1	BEARING 30214	
20	23050	1	OIL SEAL 55 X 100 X 10	
21	23040	1	BEVEL GEAR Z-29 (JUMBO)	
	23237	1	SHAFT,OUTPUT 300 (JUMBO)	FOR 300
22	23297	1	SHAFT,OUTPUT 250 (JUMBO)	FOR 250
23	14122	1	OIL SEAL 55 x 90 x 10	
24	23004	1	BEARING 30311	
25	23008	1	GASKET, GEARBOX COVER (JUMBO)	
26	23011	1	COVER, GEARBOX HOUSING, REAR (JUMBO)	
27	23043	1	GEAR Z-17 (JUMBO)	
28	23047	1	GEAR Z-23 (JUMBO)	
29	23093	1	GEAR BOX COMP. LIFTING HOOK (JUMBO)	
30	1304	22	SPRING WASHER 10mm	
31	3340	8	HEX BOLT M10 X 1.50 X 30 (8.8) DIN933	
32	1307	4	SPRING WASHER 14mm	
33	17280	4	HEX BOLT M14 X 2 X 30 (8.8) DIN933	
34	17270	14	HEX BOLT M10 X 1.50 X 25 (8.8) DIN931	
35	23065	1	CASTLE NUT M45 X 1.5	
36	9564	1	PLAIN WASHER 3/8" ALU.	
37	23287	1	DIPSTICK 153MM (M16 X 1.5) (1MLSR204)	
38	14312	1	DRAIN CAP 3/8" BSP (1GTC02UW)	
39	1571	1	COTTER PIN (DIA 3.5 X 80)	
40	23046	1	GEAR Z-22 (JUMBO)	
41	23044	1	GEAR Z-18 (JUMBO)	
42	23041	1	GEAR Z-19 (JUMBO)	
43	23045	1	GEAR Z-21 (JUMBO)	

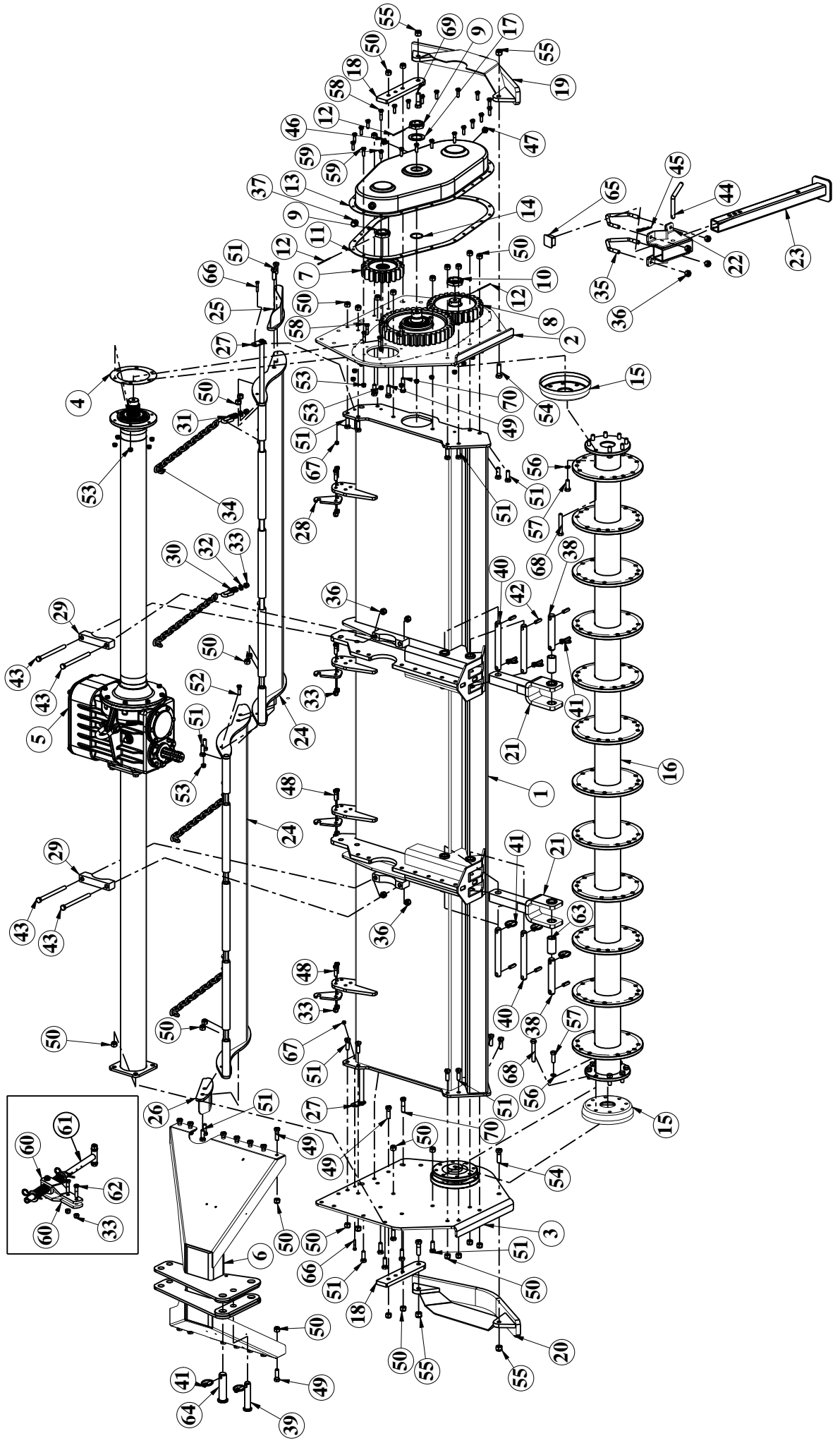
SPRING ADJUSTER ASSEMBLY (JUMBO)



JUMBO SERIES – SPRING ADJUSTER ASSEMBLY SPARE PARTS TABLE			
ITEM NO	P/NUMBER	QTY.	PART NAME
1	23088	1	TUBE WELDMENT, SPRING ADJUSTER (JUMBO)
2	23141	2	WASHER DIA 50 X 27 X 3 (JUMBO)
3	23068	2	R-CLIP D5 X L100 MM
4	23070	2	SPRING, REAR BOARD ADJUSTER (JUMBO)
5	23143	1	BLOCK, SPRING ADJUSTER (JUMBO)
6	23142	2	SPACER, SPRING ADJUSTER (JUMBO)
7	8126	4	PLAIN WASHER 12mm
8	17474	2	HEX BOLT M12 X 1.75 X 25(FT)(8.8) DIN933
9	23069	1	HEX BOLT M14 X 2 X 90 (8.8) DIN931
10	1272	2	PLAIN WASHER 14mm
11	1574	1	NYLOCK NUT M14X2.00 (DIN-982)

MACHINE SPARE PARTS (JUMBO)

SPRING ADJUSTER ASSEMBLY
(OPTION OF USING CHAIN)

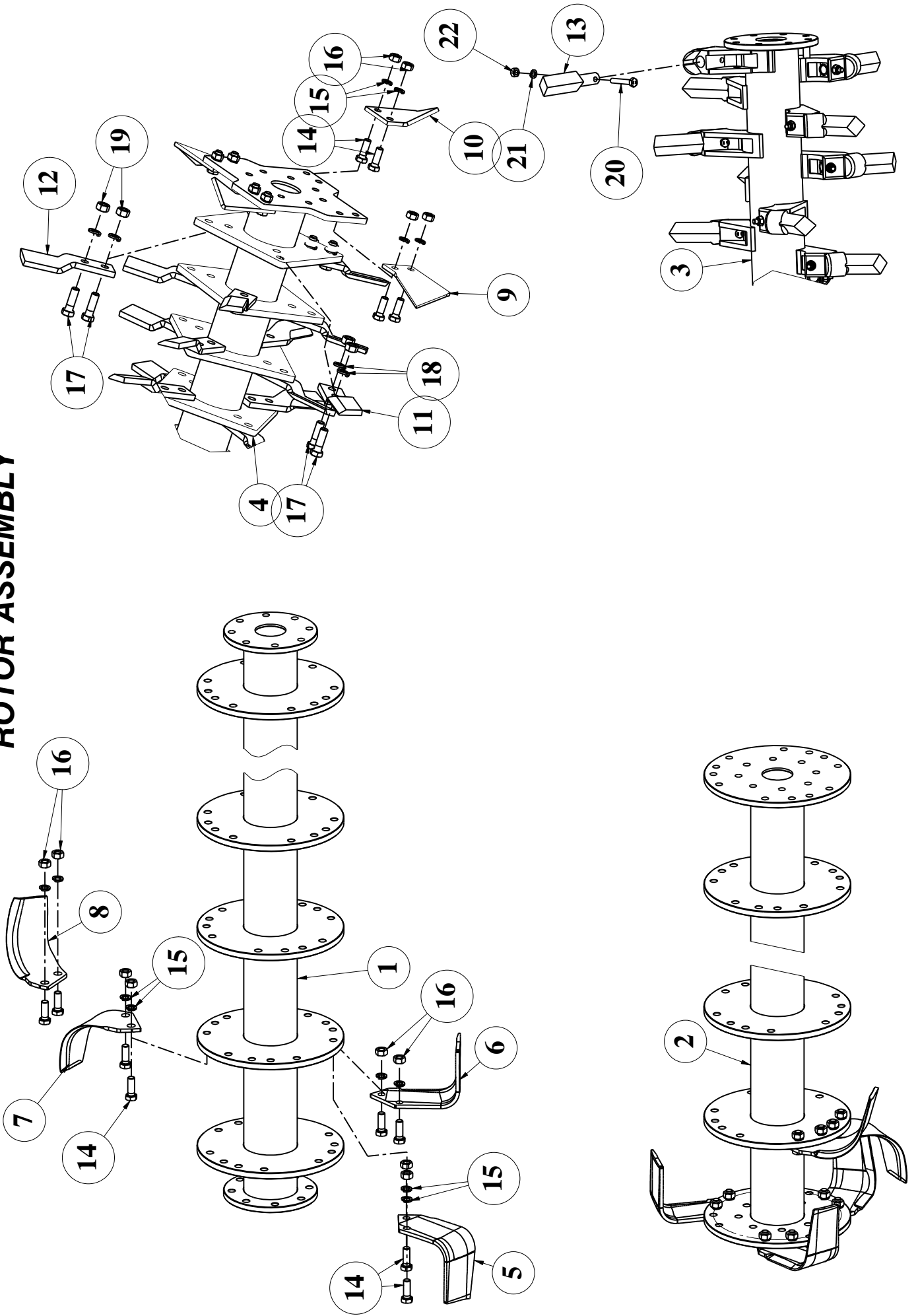


JUMBO SERIES – MACHINE SPARE PARTS TABLE

ITEM NO	P/NUMBER	QTY.	PART NAME	REMARKS
1	23228	1	FRAME WELDMENT 300(JUMBO)	FOR 300
	23288	1	FRAME WELDMENT 250(JUMBO)	FOR 250
2	23097	1	TILLER END PLATE,TR. SIDE ASM. (JUMBO)	
3	23099	1	TILLER END PLATE,EX. SIDE ASM. (JUMBO)	
4	23061	1	GASKET,SHAFT BEARING MOU.TR.SIDE (JUMBO)	
5	23238	1	GEAR BOX ASSMBLY JUMBO (300/1000)	FOR 300
	23298	1	GEAR BOX ASSMBLY JUMBO (250/1000)	FOR 250
6	23077	1	TOP MAST WELDMENT (JUMBO)	
7	23032	1	GEAR, DRIVING Z-19 (JUMBO)	
8	23039	1	GEAR, DRIVEN Z-27 (JUMBO)	
9	23065	2	CASTLE NUT M45 X 1.5	
10	2595	1	CASTLE NUT 50MM (GBD)	
11	23009	1	GASKET SIDE DRIVE COVER (JUMBO)	
12	1571	3	COTTER PIN (DIA 3.5 X 80)	
13	23075	1	COVER WELDMENT, GEAR SIDE DRIVE (JUMBO)	
14	20351	1	'O" RING ID-47.2 MM X W-3.5 MM-SCH	
15	23042	2	COVER, DIRT PROTECTION (JUMBO)	
16	23233	1	ROTOR WELDMENT STANDARD 300(JUMBO)	FOR 300
	23293	1	ROTOR WELDMENT STANDARD 250(JUMBO)	FOR 250
17	23059	1	PLAIN WASHER 45 X 70 X 3.00	
18	23385	2	SKID ADJUSTMENT (JUMBO)	
19	23164	1	SKID WELDMENT TRASMISSION SIDE (JUMBO)	
20	23165	1	SKID WELDMENT, EXTERNAL SIDE (JUMBO)	
21	23083	2	CLEVIS, LOWER HITCH (CATEGORY II)(JUMBO)	
22	23085	1	PARKING STAND MOUNT (JUMBO)	
23	23084	1	PARKING STAND (JUMBO)	
24	23229	2	REAR BOARD 300(JUMBO)	FOR 300
	23289	2	REAR BOARD 250(JUMBO)	FOR 250
25	23079	1	EXTENSION,REAR BOARD -TR. SIDE (JUMBO)	
26	23080	1	EXTENSION, REAR BOARD-EX. SIDE (JUMBO)	
27	23232	2	ROD,REAR BOARD WELD. 300(JUMBO)	FOR 300
	23292	2	ROD,REAR BOARD WELD. 250(JUMBO)	FOR 250
28	23101	4	HOOK, CHAIN FIXING (JUMBO)	
29	23102	2	BRACKET, TUBE CLAMPING - UPPER (JUMBO)	
30	14004	4	J-BOLT M12 x 1.75 x 24 x 87.5 x 25TL	
31	14005	4	U-BOLT SPRING (U-SERIES)	
32	8126	4	PLAIN WASHER 12MM	
33	1209	20	NYLOCK NUT M12X1.75 (DIN-982)	
34	23010	4	CHAIN, REAR BOARD (18 LINKS)	
35	23060	2	V-BOLT M14 X 2 X 140 X 112 X 30 T.L	
36	1574	8	NYLOCK NUT M14X2.00 (DIN-982)	
37	14310	1	AIR BREATHER 1/2" BSP (1GTSR38)	
38	23103	2	PIN,LOWER HITCH (CATEGORY II) (JUMBO)	
39	23104	1	PIN,TOP HITCH (CATEGORY II) (JUMBO)	
40	23105	4	PIN,LOWER HITCH ATTACHMENT (JUMBO)	
41	23062	8	LINCH PIN (D10XL45)	
42	23067	6	SPRING PIN D12X40	
43	23063	4	HEX BOLT M14 X 2.0 X 180 (8.8) DIN931	
44	23031	1	LOCKING PIN BIG (SHR)	
45	15055	1	R-CLIP WIRE DIA 4.00MM	
46	14314	1	OIL LEVEL GAUGE-3/8" BSP (1GTLA210)	
47	14312	1	DRAIN CAP 3/8" BSP (1GTC02UW)	
48	3343	8	HEX BOLT M12 X 1.75 X 40 (8.8) DIN931	

ITEM NO	P/NUMBER	QTY.	PART NAME	REMARKS
49	3339	16	HEX BOLT M14 X 1.50 X 45 (8.8) DIN931	
50	1302	45	NYLOCK NUT M14X1.50 (DIN-982)	
51	23318	30	HEX BOLT M14 X 1.50 X 40 (8.8) DIN931	
52	3345	1	HEX BOLT M10 X 1.50 X 35 (8.8) DIN931	
53	1298	29	NYLOCK NUT M10X1.50 (DIN-982)	
54	7108	2	HEX BOLT M16 X 2 X 50	
55	1231	4	NYLOCK NUT M16X2.0 (DIN-982)	
56	1307	16	SPRING WASHER 14MM	
57	23064	16	HEX BOLT M14 X 2 X 40 (8.8) DIN933	
58	3342	8	HEX BOLT M10 X 1.50 X 40 (8.8) DIN931	
59	3340	20	HEX BOLT M10 X 1.50 X 30 (8.8) DIN933	
60	23144	8	BRACKET, SPRING ADJUSTER SUPPORT (JUMBO)	
61	23145	4	SPRING ADJUSTER ASSEMBLY (JUMBO)	
62	23317	8	HEX BOLT M12 X 1.75 X 50 (8.8) DIN931	
63	23154	2	BUSHING CAT-III ADAPTER (JUMBO)	
64	23155	1	PIN, TOP HITCH (CATEGORY III) (JUMBO)	
65	23163	1	SQ. PIPE PLASTIC CAP 50MM	
66	12058	2	HEX BOLT M8 X 1.25 X 40	
67	1297	2	NYLOCK NUT M8X1.25 (DIN-982)	
68	23069	2	HEX BOLT M14 X 2 X 90 (8.8) DIN931	FOR SPIKE ROTOR ONLY
69	18446	2	HEX BOLT M16 X 2 X 55 (8.8)	
70	23384	2	HEX BOLT M14 X 1.50 X 55 (8.8) DIN931	

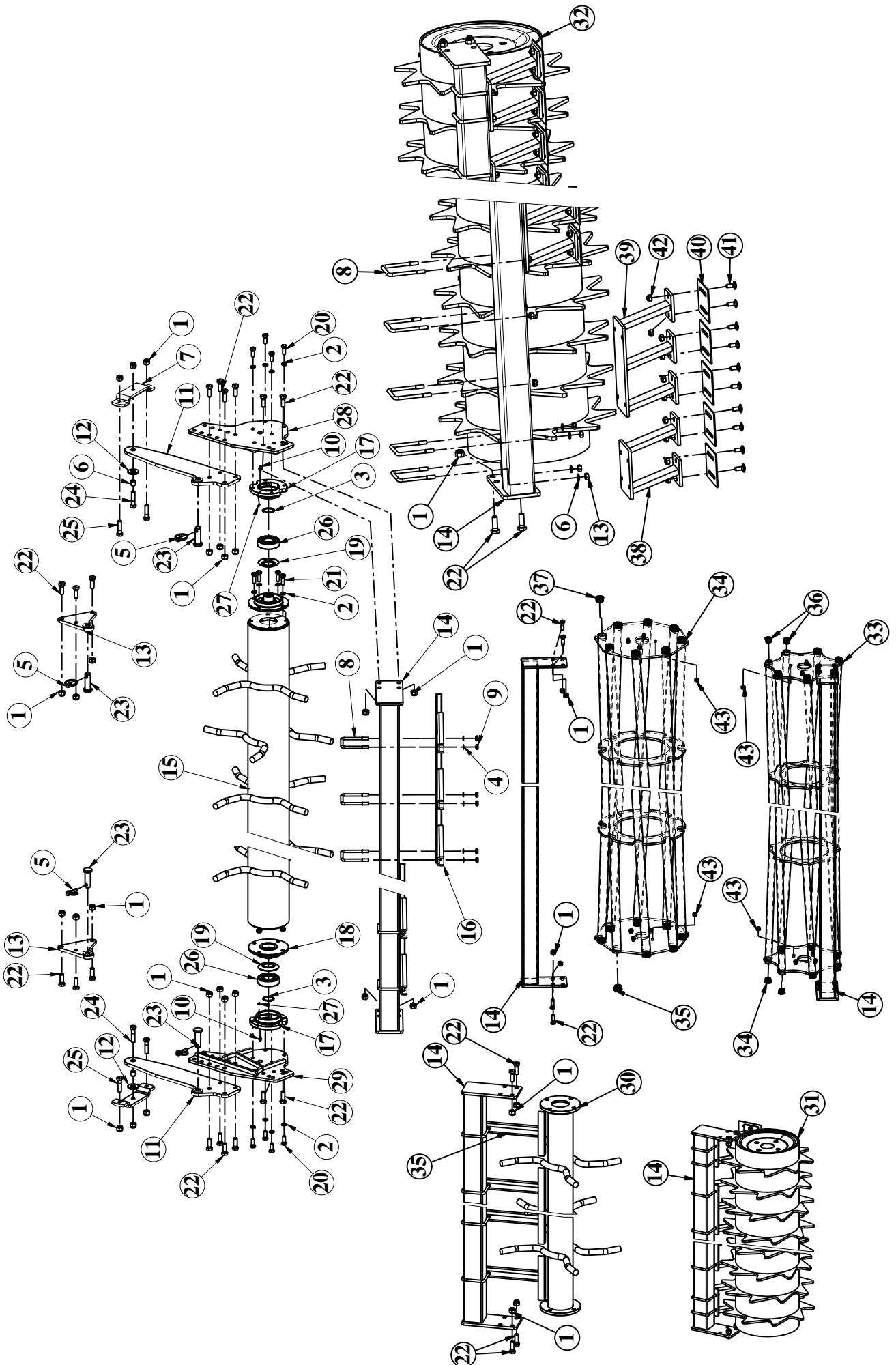
ROTOR ASSEMBLY



JUMBO SERIES – ALL ROTOR SPARE PARTS TABLE

ITEM NO.	P/NUMBER	QTY.	PART NAME	REMARKS
1	23233	1	ROTOR WELDMENT STANDARD 300(JUMBO)	FOR 300
	23293	1	ROTOR WELDMENT STANDARD 250(JUMBO)	FOR 250
2	23234	1	ROTOR WELDMENT INWARD 300(JUMBO)	FOR 300
	23294	1	ROTOR WELDMENT INWARD 250(JUMBO)	FOR 250
3	23235	1	SPIKE ROTOR WELDMENT 300 (JUMBO)	FOR 300
	23295	1	SPIKE ROTOR WELDMENT 250 (JUMBO)	FOR 250
4	23236	1	BLADE ROTOR WELDMENT 300 (JUMBO)	FOR 300
	23296	1	BLADE ROTOR WELDMENT 250 (JUMBO)	FOR 250
5	1374	36	BLADE L- TYPE LH (CHA) INDIAN	FOR 300
		30		FOR 250
6	3029	36	BLADE L- TYPE RH (CHA) INDIAN	FOR 300
		30		FOR 250
7	23159	36	BLADE CURVED LH (90X8) (180X135)	FOR 300
		30		FOR 250
8	23160	36	BLADE CURVED RH (90X8) (180X135)	FOR 300
		30		FOR 250
9	23380	4	EXTERNAL BLADE LH (BLADES ROTOR)(JUMBO)	BLADE ROTOR
10	23379	4	EXTERNAL BLADE RH (BLADES ROTOR)(JUMBO)	BLADE ROTOR
11	23225	46	STRAIGHT BLADE 50X12 LH (JUMBO)	FOR 300
		38		FOR 250
12	23226	46	STRAIGHT BLADE 50X12 RH (JUMBO)	FOR 300
		38		FOR 250
13	23224	60	SPIKE BLADE SQ. 30X30 (JUMBO)	FOR 300
		50		FOR 250
14	23318	144	HEX BOLT M14 X 1.50 X 40 (8.8) DIN931	FOR 300
		120		FOR 250
		16		BLADE ROTOR
15	1307	144	SPRING WASHER 14mm	FOR 300
		120		FOR 250
		16		BLADE ROTOR
16	3347	144	HEX NUT M14 X 1.50 DIN 934	FOR 300
		120		FOR 250
		16		BLADE ROTOR
17	7039	184	HEX BOLT M16 X 1.50 X 50	FOR 300
		152		FOR 250
18	1308	184	SPRING WASHER 16mm	FOR 300
		152		FOR 250
19	6582	184	HEXAGON NUT M16 X 1.50 DIN 934	FOR 300
		152		FOR 250
20	23286	60	HEX BOLT M10 X 1.25 X 60 (10.9) DIN 960	FOR 300
		50		FOR 250
21	1304	60	SPRING WASHER 10mm	FOR 300
		50		FOR 250
22	6556	60	HEX NUT M10X1.25 DIN 934	FOR 300
		50		FOR 250

JUMBO SERIES - ALL ROLLER SPARE PARTS



JUMBO SERIES – ROLLERS SPARE PARTS TABLE

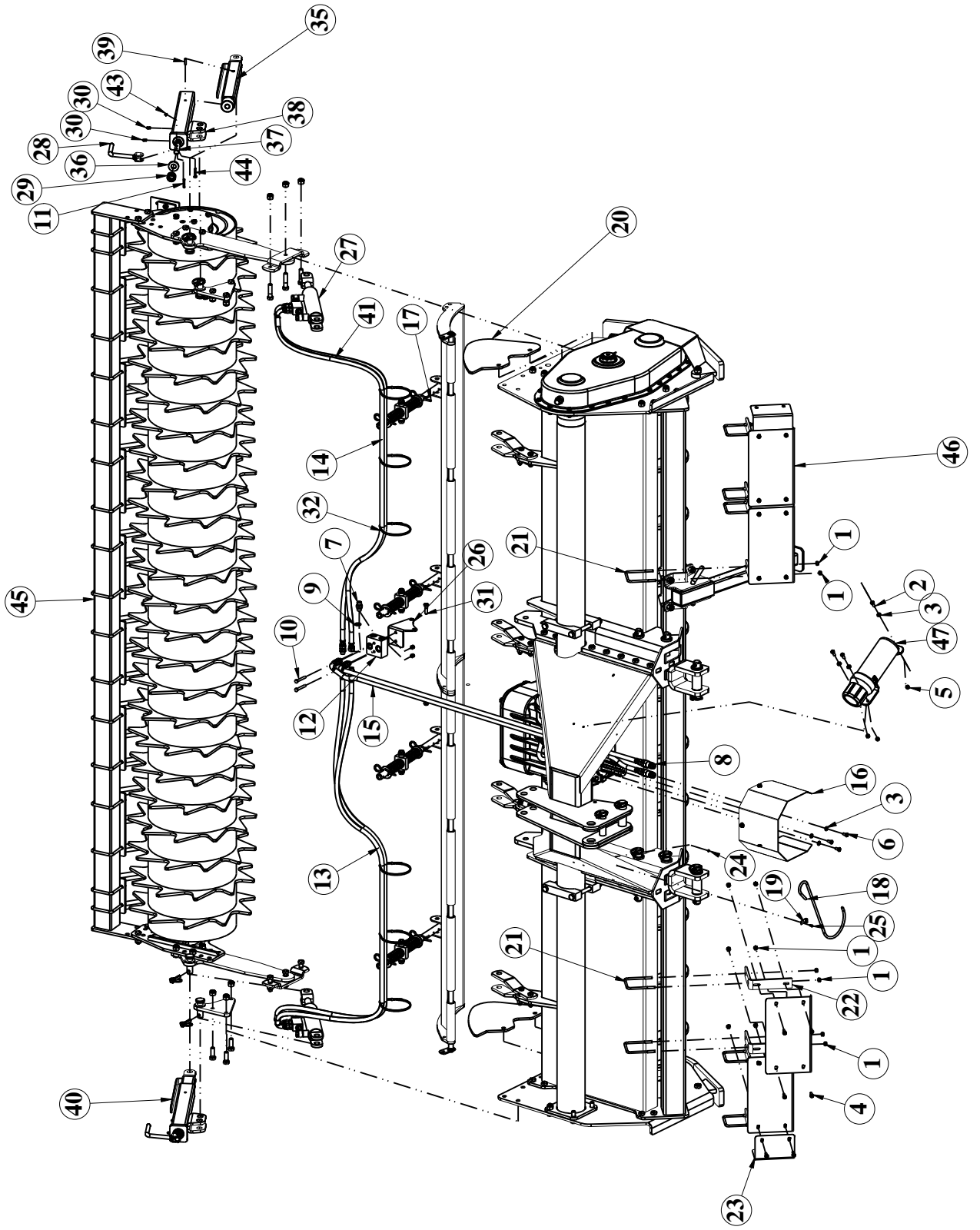
ROLLER FRAME & SPIKE ROLLER PARTS LIST

ITEM NO	P/NUMBER	QTY.	PART NAME	REMARKS
1	1302	24	NYLOCK NUT M14X1.50 (DIN-982)	
2	1306	16	SPRING WASHER 12mm	
3	8027	2	CIRCLIP EXTERNAL 40MM	
4	18163	24	M10 WASHER (10.85 X 20 X 1.6)	FOR 300
		20		FOR 250
5	23062	4	LINCH PIN (D10XL45)	
6	23020	2	BUSHING, ROLLER ARM (JUMBO)	
7	23119	2	BRACKET, ROLLER ARM (JUMBO)	
8	23227	12	SQ.BEND U-BOLT M10X1.25X91X112X25 T.L	FOR 300
		10		FOR 250
9	6556	24	HEX NUT M10X1.25 DIN 934	FOR 300
		20		FOR 250
10	6559	2	GREASE NIPPLE M8 X 1	
11	23242	2	ROLLER ARM WELDMENT (JUMBO)	
12	23244	2	SPACER - 44 X 19 X 6	
13	23245	2	MOUNTING, JACK COUPLING WELD.(JUMBO)	
14	23263	1	TUBE WELDMENT SCRAPER 300 (JUMBO)	FOR 300
	23306	1	TUBE WELDMENT SCRAPER 250 (JUMBO)	FOR 250
15	23264	1	SPIKE ROLLER WELD. D540 300 (JUMBO)	FOR 300
	23307	1	SPIKE ROLLER WELD. D540 250 (JUMBO)	FOR 250
16	23265	4	SCRAPER WELDMENT, 3-UNITS (JUMBO)	FOR 300
		3		FOR 250
17	23281	2	BEARING SUPPORT	
18	23282	2	HUB SUPPORT ROLLER	
19	23283	2	DUST RING	
20	6587	8	HEX BOLT M12 X 1.25 X 30 DIN 961 - 8.8	
21	6589	8	HEX BOLT M12 X 1.25 X 35 DIN 961 - 8.8	
22	23318	18	HEX BOLT M14 X 1.50 X 40 (8.8) DIN931	
23	23381	4	PIN, JACK MOUNTING (JUMBO)	
24	23382	2	HEX BOLT M14 X 1.50 X 60 (8.8) DIN931	
25	23384	4	HEX BOLT M14 X 1.50 X 55 (8.8) DIN931	
26	23386	2	Y-BEARING 6308-2RS1	
27	6730	2	SOLID PIN Ø5.00 E-120 (SPH)	
28	23388	1	RIGHT END PLATE WELD, FRAME ROLL.(JUMBO)	
29	23389	1	LEFT END PLATE WELD, FRAME ROLL.(JUMBO)	
30	23262	1	SPIKE ROLLER WELD. D490 300 (JUMBO)	FOR 300
	23305	1	SPIKE ROLLER WELD. D490 250 (JUMBO)	FOR 250
35	23308	1	SCRAPER WELDMENT, 1-UNITS (JUMBO)	FOR 250

PACKER ROLLER PARTS LIST				
ITEM NO	P/NUMBER	QTY.	PART NAME	REMARKS
31	23268	1	PACKER ROLLER WELD. D450 300 (JUMBO)	FOR 300
	23311	1	PACKER ROLLER WELD. D450 250 (JUMBO)	FOR 250
32	23320	1	PACKER ROLLER WELD. D500 300 (JUMBO)	FOR 300
	23322	1	PACKER ROLLER WELD. D500 250 (JUMBO)	FOR 250
38	23269	2	SCRAPER WELDMENT (DOUBLE SCRAPER)	FOR 300
		3		FOR 250
39	23270	7	SCRAPER WELDMENT (TRIPLE SCRAPER)	FOR 300
		5		FOR 250
40	23271	25	SCRAPER PLATE, PACKER ROLLER	FOR 300
		21		FOR 250
41	8175	50	ROUND HEADED SQ.NECK BOLT M10 X 1.5 X 25	FOR 300
		42		FOR 250
42	1298	50	NYLOCK NUT M10X1.50 (DIN-982)	FOR 300
		42		FOR 250
4	18163	36	M10 WASHER (10.85 X 20 X 1.6)	FOR 300
		32		FOR 250
8	23227	18	SQ.BEND U-BOLT M10X1.25X91X112X25 T.L	FOR 300
		16		FOR 250
9	6556	36	HEX NUT M10X1.25 DIN 934	FOR 300
		32		FOR 250

CAGE ROLLER PARTS LIST				
ITEM NO	P/NUMBER	QTY.	PART NAME	REMARKS
33	23273	1	CAGE ROLLER WELDMENT D400 300 (JUMBO)	FOR 300
	23313	1	CAGE ROLLER WELDMENT D400 250 (JUMBO)	FOR 250
34	23327	1	CAGE ROLLER WELDMENT D450 300 (JUMBO)	FOR 300
	23329	1	CAGE ROLLER WELDMENT D450 250 (JUMBO)	FOR 250
36	6625	14	CLOSING PLUG DIA.26 D400	
37	6692	16	CLOSING PLUG DIA.34 D450	
43	6663	8	SELF LOCK NUT M12 X 1.25 DIN 980V	

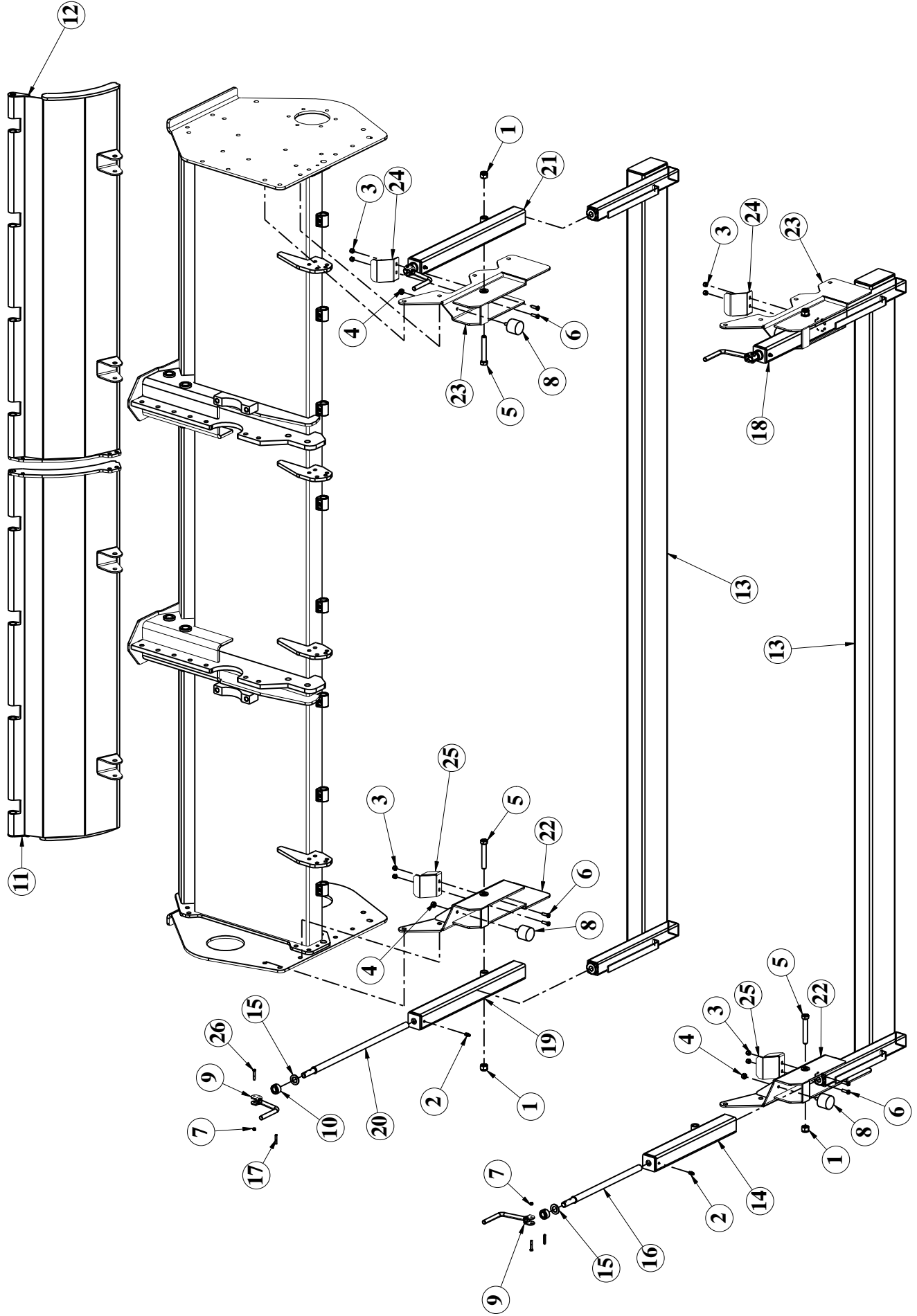
CE KIT & ROLLER ATTACHMENT ASSEMBLY (JUMBO)



JUMBO SERIES – CE KIT & ACCESSORIES SPARE PARTS TABLE

ITEM NO	P/NUMBER	QTY.	PART NAME	REMARKS
1	1297	32	NYLOCK NUT M8X1.25 (DIN-982)	
2	8040	3	HEX BOLT M8 X 1.25 X 20	
3	8064	6	PLAIN WASHER 8mm	
4	8171	16	HEX BOLT M8 X 1.25 X 25	
5	8181	3	HEX NUT M8 X 1.25	
6	8190	3	HEX BOLT M8 X 1.25 X 15	
7	9553	12	NIPPLE 3/8" BSP STD	
8	9563	2	HYD. MALE COUPLING 1/2" BSP	
9	9564	12	PLAIN WASHER 3/8" ALU.	
10	19164	2	HEX BOLT M8 X 1.25 X 60 (FT)	
11	25195	2	DOWEL PIN 6 X 36 (ISO8752)	
12	23015	2	HYD. DISTRIBUTOR VALVE 3/8"(JUMBO)	
13	23016	2	HYD. HOSE R1AT,F90° 3/8" FD3/8", L=2300	FOR 300
14	23018	2	HYD. HOSE R1AT,F90° 3/8"-FD 3/8",L=1900	FOR 300 & 250
15	23019	2	HYD. HOSE R1AT F90° 3/8"-FD 3/8",L=1600	FOR 300 & 250
16	23140	1	PTO SHAFT GUARD ASSEMBLY (JUMBO)	
17	23145	4	SPRING ADJUSTER ASSEMBLY (JUMBO)	
18	23146	1	DRIVELINE HOOK 370MM	
19	23147	1	PLATE,HOOK HOLDING (JUMBO)	
20	23148	2	CE SIDE SHIELD (JUMBO)	
21	23027	8	U-BOLT M8X1.25X100X119 X 30 T.L(JUMBO)	
22	23149	8	BRACKET,FRONT BARRIER (JUMBO)	
23	23151	2	PLATE,END,FRONT BARRIER (JUMBO)	
24	23028	1	HEX NUT M4 X 0.75	
25	23029	1	HEX BOLT M4 X 0.75 X 10	
26	23153	1	BRACKET,HYDRAULIC VALVE SUPPORT (JUMBO)	
27	23223	2	HYD. CYLINDER 385X535 WITH CHECK VALVE	
28	6549	2	HANDLE WELD. E120 (SPH)	
29	6550	2	BUSHING MECH. JACK E120 (SPH)	
30	6559	4	GREASE NIPPLE M8 X 1	
31	3345	1	HEX BOLT M10 X 1.50 X 35 (8.8) DIN931	
32	23390	4	CABLE TIE 400MM	
33	23232	2	ROD,REAR BOARD WELD. 300(JUMBO)	FOR 300
	23292	2	ROD,REAR BOARD WELD. 250(JUMBO)	FOR 250
34	23239	2	SHORT REAR BOARD WELD. 300 ROLLER(JUMBO)	FOR 300
	23299	2	SHORT REAR BOARD WELD. 250 ROLLER(JUMBO)	FOR 250
35	23276	2	MECH. JACK WELDMENT, INTERNAL (JUMBO)	
36	23391	2	WASHER 40 X 19 X 6 MM	
37	23392	2	ADJUSTING THREADED BAR (JUMBO)	
38	23277	2	MECH. JACK WELDMENT, EXTERNAL (JUMBO)	
39	23278	2	SPRING PIN D6X26	
40	23279	2	MECHANICAL JACK ASSEMBLY (JUMBO)	
41	23280	1	KIT HYD. JACK ASM. 300 (JUMBO)	FOR 300
	23326	1	KIT HYD. JACK ASM. 250 (JUMBO)	FOR 250
42	23285	1	KIT ROLLER FRAME (JUMBO)	
43	6583	2	HEX NUT M6 X 1 DIN 934	
44	6601	2	HEX BOLT M6 X 1 X 35 DIN 931	
*45	23321	1	KIT PACKER ROLLER ASM. D500 300 (JUMBO)	As per separate list
46	23324	4	PLATE,BARRIER FRONT (L=330) (JUMBO)	FOR 300
	23325	4	PLATE, BARRIER FRONT (L=250) (JUMBO)	FOR 250
47	26030	1	MANUAL BOX COVER 1/2(SMMSD)	

LEVELING BAR ASSEMBLY



NOTE :- DIFFERENT LEVELING BAR ASSEMBLY USING FOR HYD. JACK ASSEMBLY AND MECH. JACK ASSEMBLY

JUMBO SERIES – LEVELING BAR ASSEMBLY SPARE PARTS TABLE

ITEM NO	P/NUMBER	Qty.	PART NAME	Remarks
1	1231	2	NYLOCK NUT M16X2.0 (DIN-982)	
2	6559	2	GREASE NIPPLE M8 X 1	
3	1297	4	NYLOCK NUT M8X1.25 (DIN-982)	
4	1298	2	NYLOCK NUT M10X1.50 (DIN-982)	
5	2208	2	HEX BOLT M16 X 2 X 100	
6	8171	4	HEX BOLT M8 X 1.25 X 25	
7	19140	2	NYLOCK NUT M6X1.00 (DIN-982)	
8	6546	2	BUMPER,M10X1.5X40 (SPH)	
9	6549	2	HANDLE, WELDMENT ASSEMBLY (SPH)	
10	6550	2	BUSHING, MECHANICAL JACK (SPH)	
11	23240	1	SHORT REAR BOARD WELD. 300 LEV.LH(JUMBO)	FOR 300
	23300	1	SHORT REAR BOARD WELD. 250 LEV.LH(JUMBO)	FOR 250
12	23241	1	SHORT REAR BOARD WELD. 300 LEV.RH(JUMBO)	FOR 300
	23301	1	SHORT REAR BOARD WELD. 250 LEV.RH(JUMBO)	FOR 250
13	23246	1	LEVELING BAR WELDMENT 300(JUMBO)	FOR 300
	23302	1	LEVELING BAR WELDMENT 250(JUMBO)	FOR 250
14	23247	2	MECHANICAL JACK WELD,UPPAR L=470(JUMBO)	
15	23248	2	WASHER M20 DIN 125	
16	23249	2	THEADED BAR, MECH. JACK L=470 (JUMBO)	
17	23250	2	SPRING PIN D6X36 (ISO 8752)	
18	23252	2	MECHANICAL JACK ASM. UPPAR L=470(JUMBO)	
19	23253	2	MECHANICAL JACK WELD,UPPAR L=610(JUMBO)	
20	23254	2	THEADED BAR, MECH. JACK L=610 (JUMBO)	
21	23255	2	MECHANICAL JACK ASM. UPPAR L=610(JUMBO)	
22	23256	1	LEVELING BAR SUPPORT, WELD. RH (JUMBO)	
23	23257	1	LEVELING BAR SUPPORT, WELD. LH (JUMBO)	
24	23258	1	PROTECTION, LEVELING BAR LH (JUMBO)	
25	23259	1	PROTECTION, LEVELING BAR RH (JUMBO)	
26	6601	2	HEX BOLT M6 X 1 X 35 DIN 931	