

CENTRIFUGAL PULL TYPE SPREADER FOR ATV - Mod. PTP

OWNER'S MANUAL

 Read the Operator's manual entirely before using the machine 

7. PARTS BREAKDOWN

Table 01

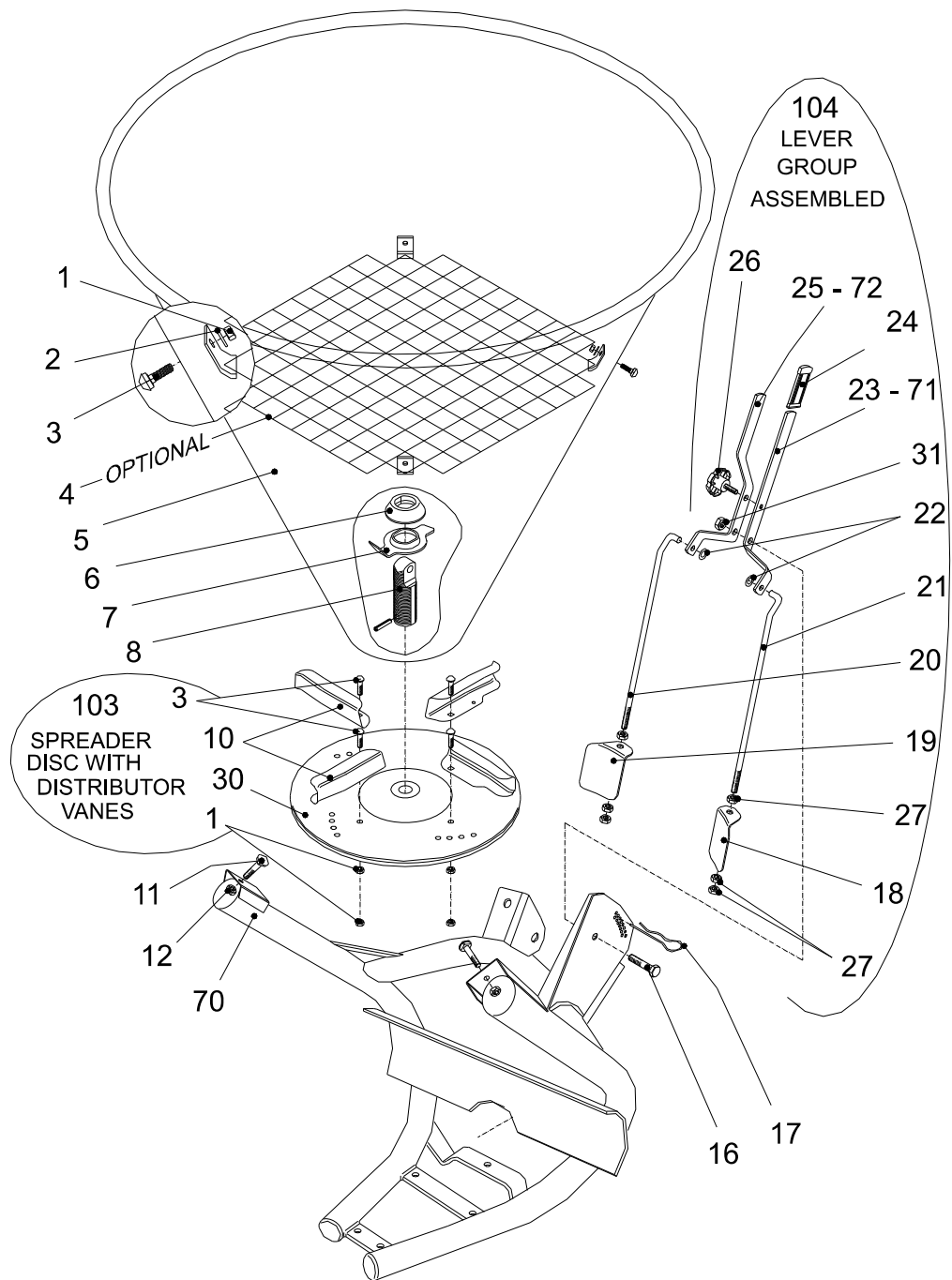


Table 02

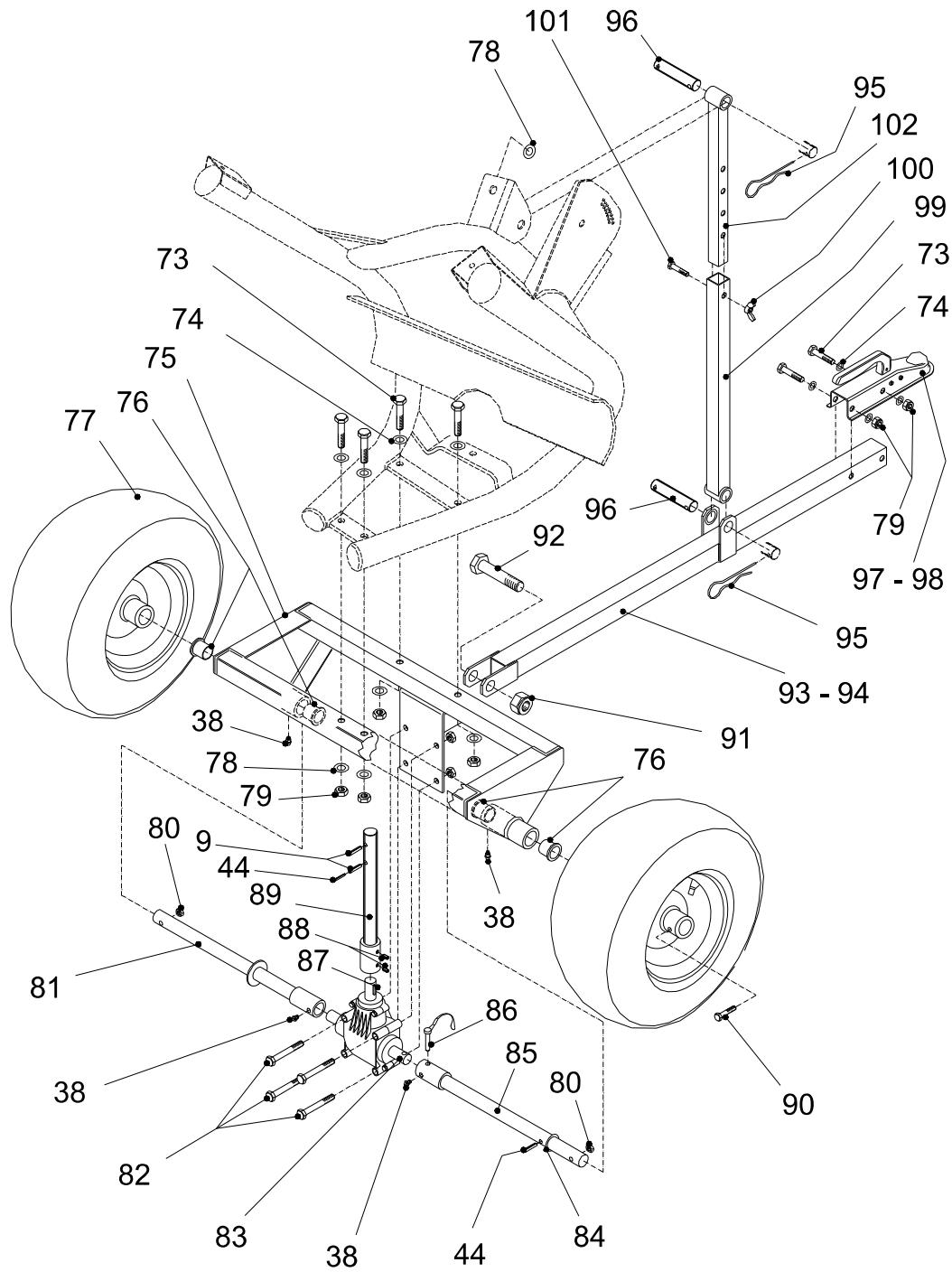


Table 03

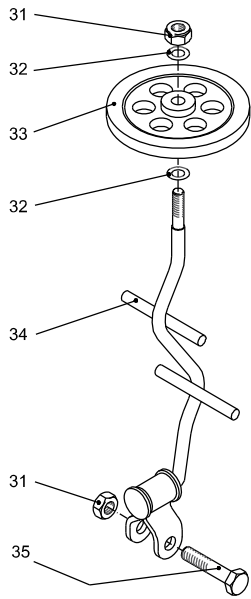
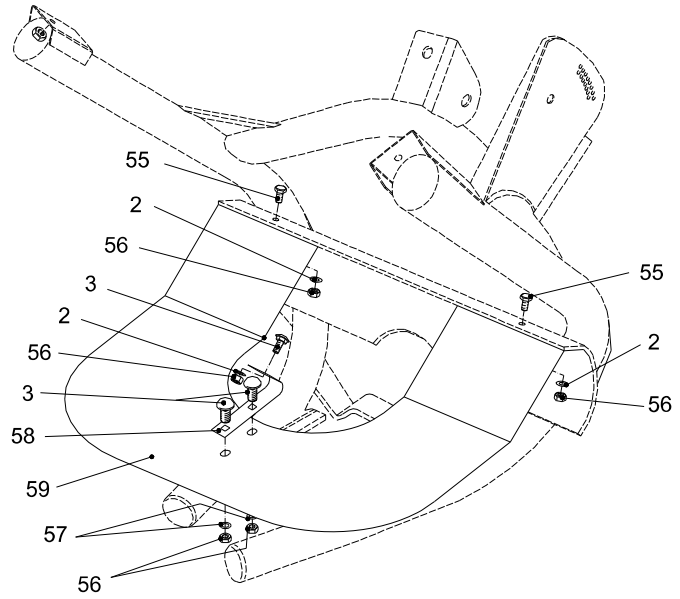


Table 04



POS.	QTY	CODE	DESCRIPTION
1	4	301.012	NUT M8 UNI 5588
1	4	301.012	NUT M8 UNI 5588 for grill
2	3	303.007	WASHER 8X17 UNI 6592
2	4	303.007	WASHER 8X17 UNI 6592 for grill
3	7	300.030	SCREW TTQST 8X16 UNI 5731
3	4	300.030	SCREW TTQST 8X16 UNI 5731 for grill
4	1	642.010	PROTECTIVE GRILL CE
5	1	609.008	HOPPER 180
5	1	609.038	PLASTIC HOPPER 180
5	1	609.011	HOPPER 300
5	1	609.033	PLASTIC HOPPER 300
6	1	304.013	RUBBER RING
7	1	619.002	LOWER AGITATOR
8	1	330.001	ENTRAINER
9	2	305.001	SPRING PIN 8X40
10	4	601.001	DISTRIBUTOR VANE
11	3	300.023	SCREW TTQST 10X20 UNI 5731
12	3	301.010	NUT M10 UNI 5588
16	1	300.024	SCREW TE 12X35 UNI 5739
17	1	307.001	SPLIT PIN 4,5
18	1	605.004	LEFT SHUTTER
19	1	605.003	RIGHT SHUTTER
20	1	602.001	RIGHT TIE ROD
21	1	602.002	LEFT TIE ROD
22	2	303.009	FLAT WASHER 10,5X21 UNI 6592 GR
23	1	604.002	LEFT LEVER SHORT VERSION
71	1	604.006	LEFT LEVER LONG VERSION
24	1	304.008	RUBBER GRIP
25	1	604.001	RIGHT LEVER SHORT VERSION
72	1	604.005	RIGHT LEVER LONG VERSION

POS.	QTY	CODE	DESCRIPTION
26	1	302.003	LEVER LOCK KNOB 8X25
27	6	301.014	NUT M10 UNI 5589 GR
30	1	610.003	SPREADER DISC without vanes
30	1	610.013	STAINLESS STEEL DISC without vanes
31	1	301.008	SELF LOCKING NUT M12
38	4	306.002	GREASE NIPPLE M8
44	2	305.003	SPRING PIN 5X40
55	2	300.029	SCREW TE 8X20 UNI 5739
56	5	301.012	NUT M8 5588
57	2	303.013	WASHER 8X24 UNI 6593
58	1	606.009	SUPPORT BRACKET
59	1	606.010	SHEET GUARD
70	1	613.026	PTP FRAME
73	6	300.020	SCREW TE 10X70 UNI 5737
74	8	303.015	WASHER 10X20 UNI 6592
75	1	613.025	PTP SUPPORT FRAME
76	4	325.024	SMOOTH BEARING W/FLANGE
77	2	620.079	PTP TYRE
78	5	303.025	WASHER 10X30 UNI 6593
79	10	301.013	SELF LOCKING NUT M10
80	2	301.001	SELF LOCKING NUT M8
81	1	620.082	PTP RIGHT AXLE
82	4	300.018	SCREW TE 10X100 UNI 5737
83	1	322.008	GEAR BOX WITHOUT PTO
84	1	303.035	WASHER 25X351,5
85	1	620.083	PTP LEFT AXLE
86	1	302.006	PIN MM8
87	1	326.003	KEY 8X7X20
88	2	305.015	DOWEL M6
89	1	323.013	OUTPUT SHAFT WITH BUSHING
90	2	300.027	SCREW TE 8X50 UNI 5737
91	1	301.006	SELF LOCKING NUT M22
92	1	300.021	SCREW TE 22X80 UNI 5739
93	1	613.030	TOW TUBE FOR 1" 7/8 HOOK
94	1	613.031	TOW TUBE FOR 2" HOOK
95	2	305.008	SPRING PIN R 3
96	2	633.003	PTP PIVOT diam. 22
97	1	620.080	TOW HITCH 1" 7/8
98	1	620.090	TOW HITCH 2"
99	1	606.061	OUTER TUBE LEVEL STOP WITH BUSHING
100	1	301.005	TONGUE NUT M8
101	1	300.019	SCREW TE 8X40 UNI 5737
102	1	606.060	INNER TUBE LEVEL STOP WITH BUSHING
103		610.001	SPREADER DISC with vanes
103		610.014	STAINLESS STEEL DISC with vanes
104		618.006	LEVER GROUP ASSEMBLED RH+LH short vers.
104		618.013	LEVER GROUP ASSEMBLED RH+LH long vers.
		619.004	AGITATOR PTP MODEL