

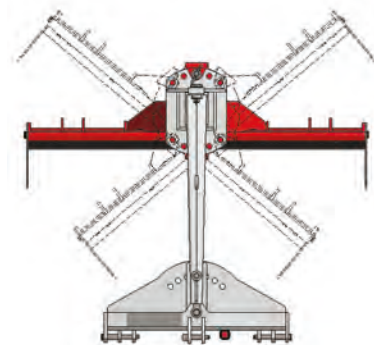
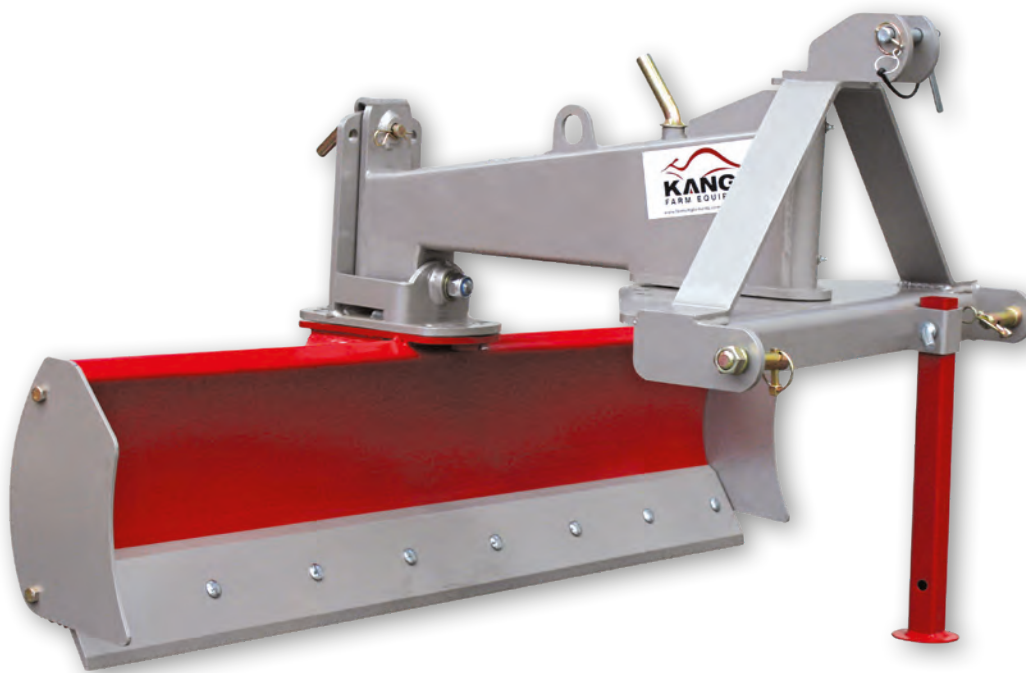
LD Range Grader Blade



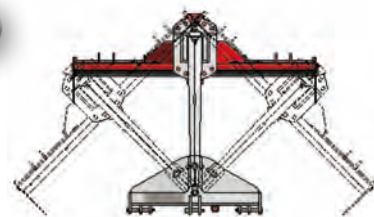
KANGA LD Grader Blades are the next generation design for grading and scraping in Australia. Engineered for tractors 15 to 35hp, the LD Grader has a tapered main beam for superior strength, greaseable pivot points and a park stand for easy connection.

Designed for maximum versatility with simple manual adjustments the operator can move material side to side, offset the blade to grade in hard to reach areas and tilt the blade to grade a camber into a slope or road to aid water runoff. The blade can also be reversed 180° for back blading (pushing backwards).

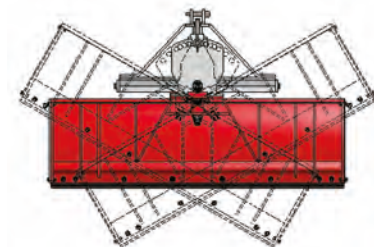
The reinforced mouldboards involuted design enables a more efficient and continuous cutting, mixing and rolling of material while the heat-treated cutting edge is reversible to extend its lifespan.



Angle



Offset



Tilt

Code	KBLD120	KBLD150	KBLD180
Size reference	1.2m 4'0" 48"	1.5m 5'0" 60"	1.8m 6'0" 72"
Headstock	Tapered 5mm main beam		
Mouldboard	Reversible 6mm mouldboard		
Cutting edge	High tensile road grade, reversible		
Linkage	Category 1, bolt-on pins		
Finish	Powder coated		
Adjustment	Angle, offset and tilt		
Controlled by	Pins and clips		
Blade angle	5 positions = square, 2 left, 2 right 15° & 30°		
Blade offset	7 positions = square, 3 left, 3 right 15° (200mm), 30° (400mm) & 45° (600mm)		
Blade tilt	5 positions = square, 2 left, 2 right 15° & 30°		
Overall width (mm)	1200	1500	1800
Tractor range (hp)	15 - 35	22 - 35	25 - 35
Weight (kg)	135	145	155