

The KANGA Land Plane is a versatile implement that excels in a wide range of applications, from scarifying and levelling gravel driveways, dirt roads, construction and turf sites, to cleaning and reconditioning barns, chicken coops and arenas.

Compared to traditional Grader Blades, Land Planes are remarkably user-friendly implements. The tines are designed to crack the compacted surface crust. Once material starts accumulating along the front cutting edge, it is recommended to raise the tines to the highest setting or remove them.

The main box frame of the Land Plane features bolt-on skid runners on both sides, which are easily replaceable. The skids have tapered leading and trailing edges, ensuring the Land Plane glides smoothly over uneven terrain while maintaining a consistent level.

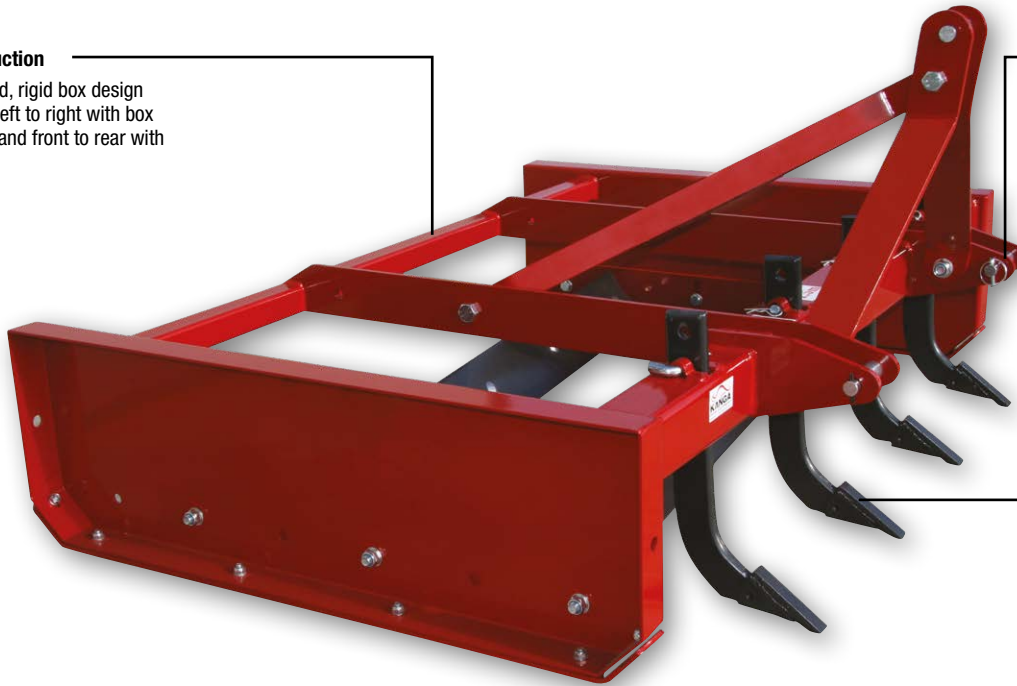
Experience the ease of use and superior performance of the KANGA Land Plane, an implement designed to tackle various tasks with precision and efficiency.

Construction

A welded, rigid box design braced left to right with box section and front to rear with flat bar.

3-Point linkage

Category 1. Two-plate, double clevis mount designed to absorb lateral load when turning; increasing implement longevity.

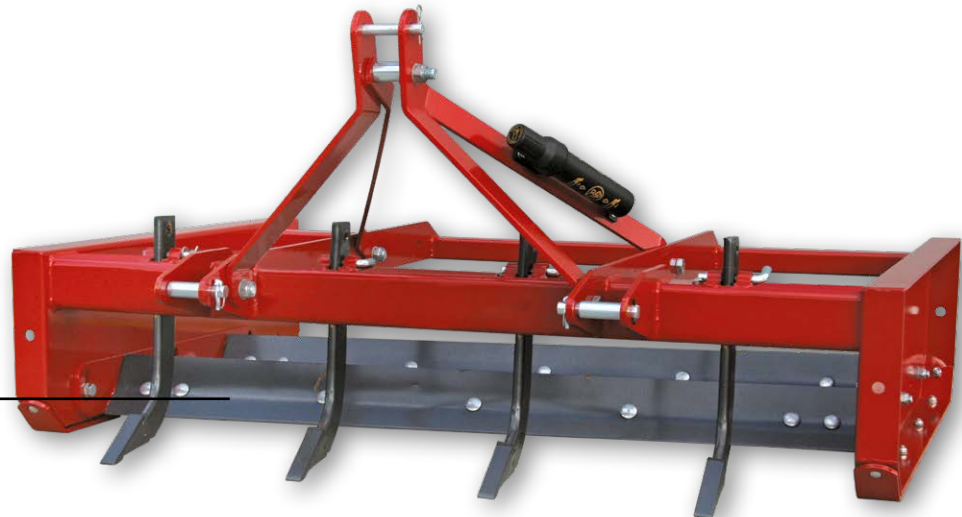


Ripping

Solid 5mm thick 100x100 RHS toolbar. Front tines are high-tensile steel and height adjustable, either individually or as a set. Tip of tine has a high-tensile point that is replaceable with a knock-on/knock-off design.

Height-adjustable grading edges

150 x 12mm. Manufactured from high alloy BORON steel that is heat-treated, quenched and tempered. Reversible to extend lifespan.



Code	KLP150	KLP210
Size reference	1.5m 5'0"	2.1m 7'0"
No. of tines	4	6
Working width (mm)	1520	2130
Overall width (mm)	1650	2300
Tractor range (hp)	20 - 40 17 - 33 @ PTO	35 - 75 29 - 63 @ PTO
Weight (kg)	233	293